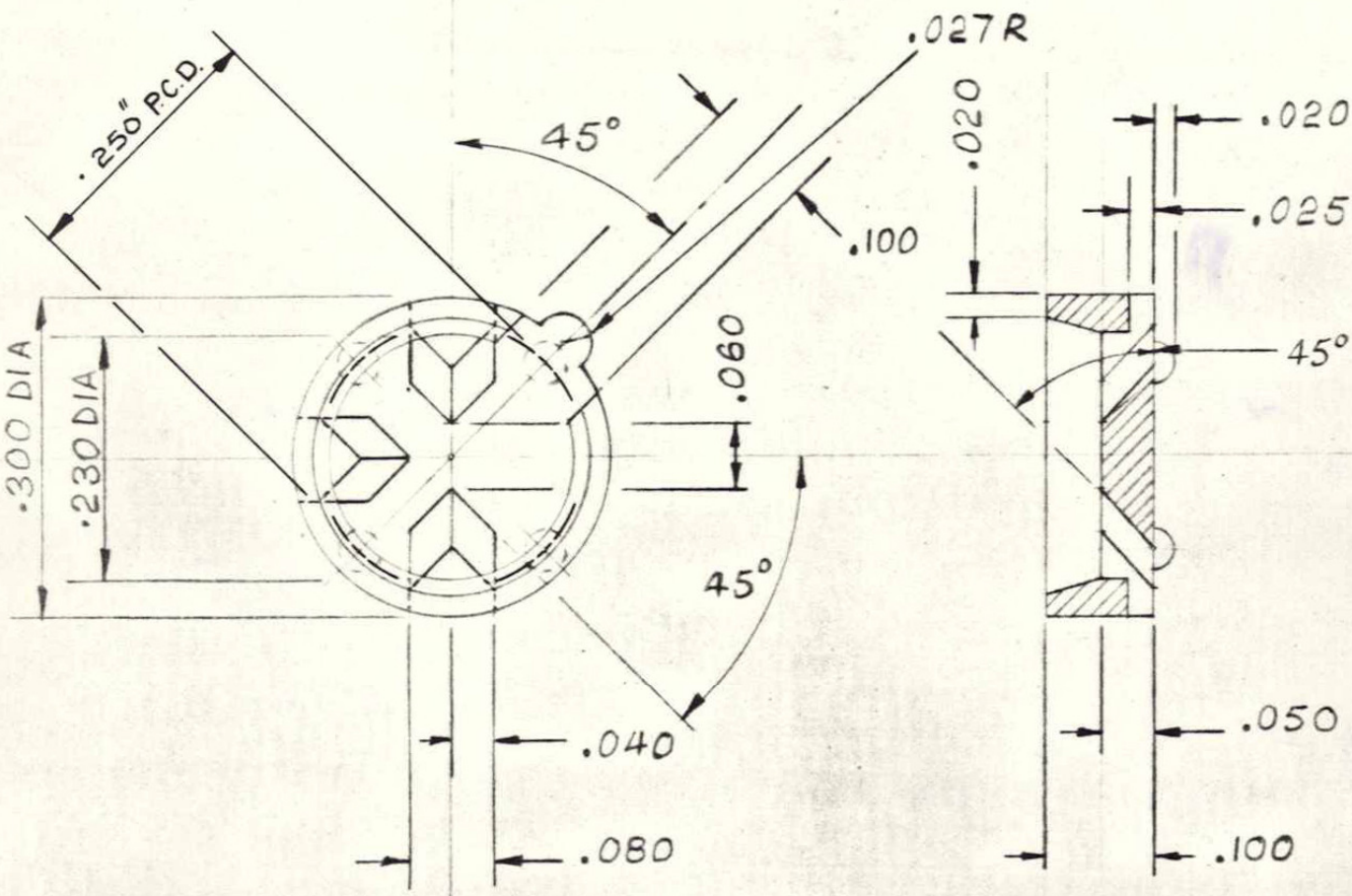


DRG. No.
A 58-1003.

FOR EXPLANATION OF DIMENSIONING, ETC. SEE B.S.308
REMOVE ALL BURRS & SHARP EDGES.
A RADIUS OR CHAMFER .02 (MAX.) IS PERMITTED IN CORNERS
OF BLIND HOLES, RECESSES & STEPS.

THIRD ANGLE PROJECTION



Type No	Ref No	Material
T0518-003D	SS8-1003D	A 1406

DATE	CHANGES	
15-6-70	A	P.C.D. OF FEET ADDED.
14-1-77	B	MATERIAL AMENDED. F.
14-3-78	C	Drg No was A1222 Ref Pt No added. M.

TOLERANCE	DRAWN
± 0.010 U.O.S.	<i>E.P.</i>
MATERIAL	TRACED
_____	CHECKED
	DATE
	24-6-68

TITLE Transistor Pad.

SCALE: 5-1
DIMS. INCHES
DRG. No.
A 58-1003

JERMYN INDUSTRIES VESTRY ESTATE, OTFORD, NR. SEVENOAKS, KENT.