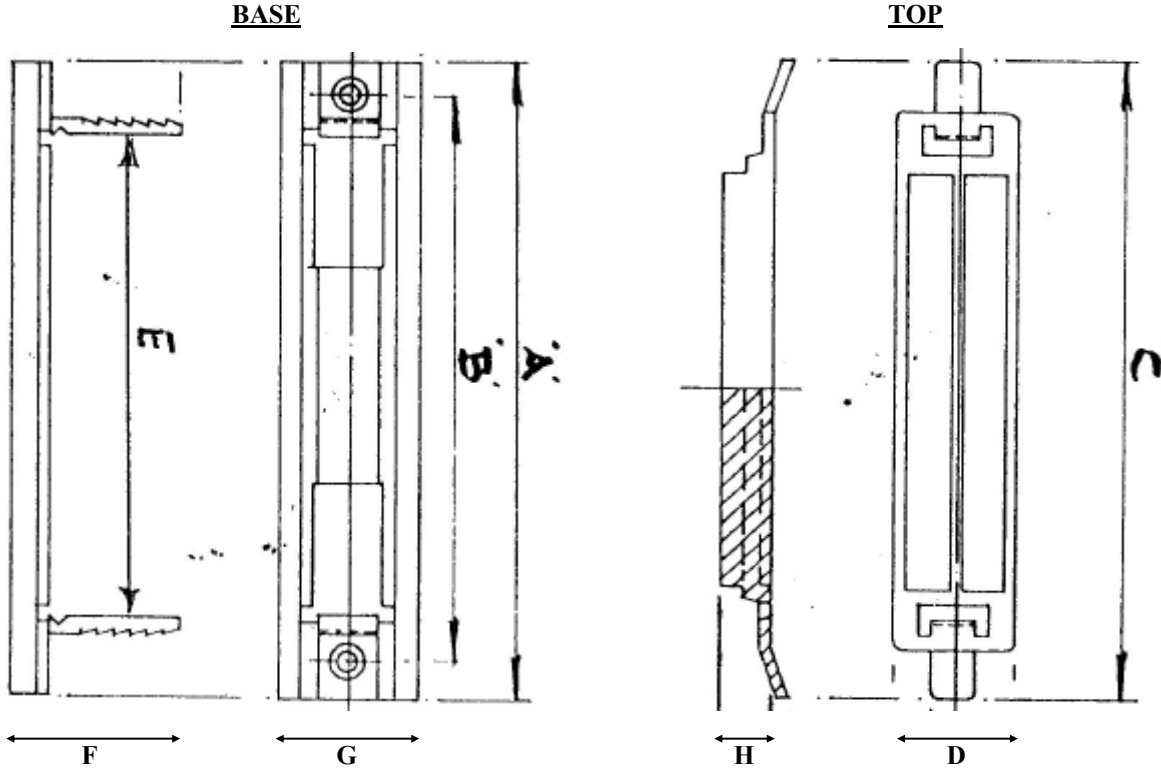
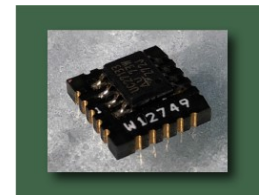
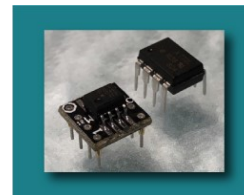
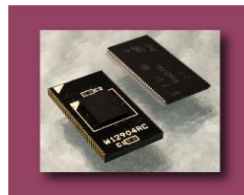
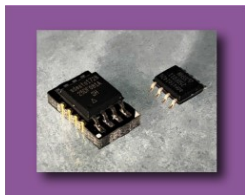


**W7700 Series
Ribbon Wrap. Cable Clamp**



Part No:	Product:	A	B	C	D	E	F	G	H
W7700A	26 Way	51.0	42.0	51.2	13.0	29.0	19.4	17.0	6.0
W7700B	40 Way	76.0	67.0	76.3	13.0	54.0	19.4	17.0	6.0
W7700C	64 Way	107.0	98.0	107.0	13.0	85.4	19.4	17.0	6.0

Material: Polypropylene.
Dimensions: mm.
Tolerance: +/-0.25mm



Also available from Winslow Adaptics are cost effective, time saving solutions to test, obsolescence, supply problems and upgrades. OEMs can upgrade equipment with custom Adaptics utilising additional logic, often saving considerable cost and time on re-design. If lead-time becomes an issue contact us for a suitable package converter. We specialise in conversion of all package lead-frames. For further information please contact your nearest sales office