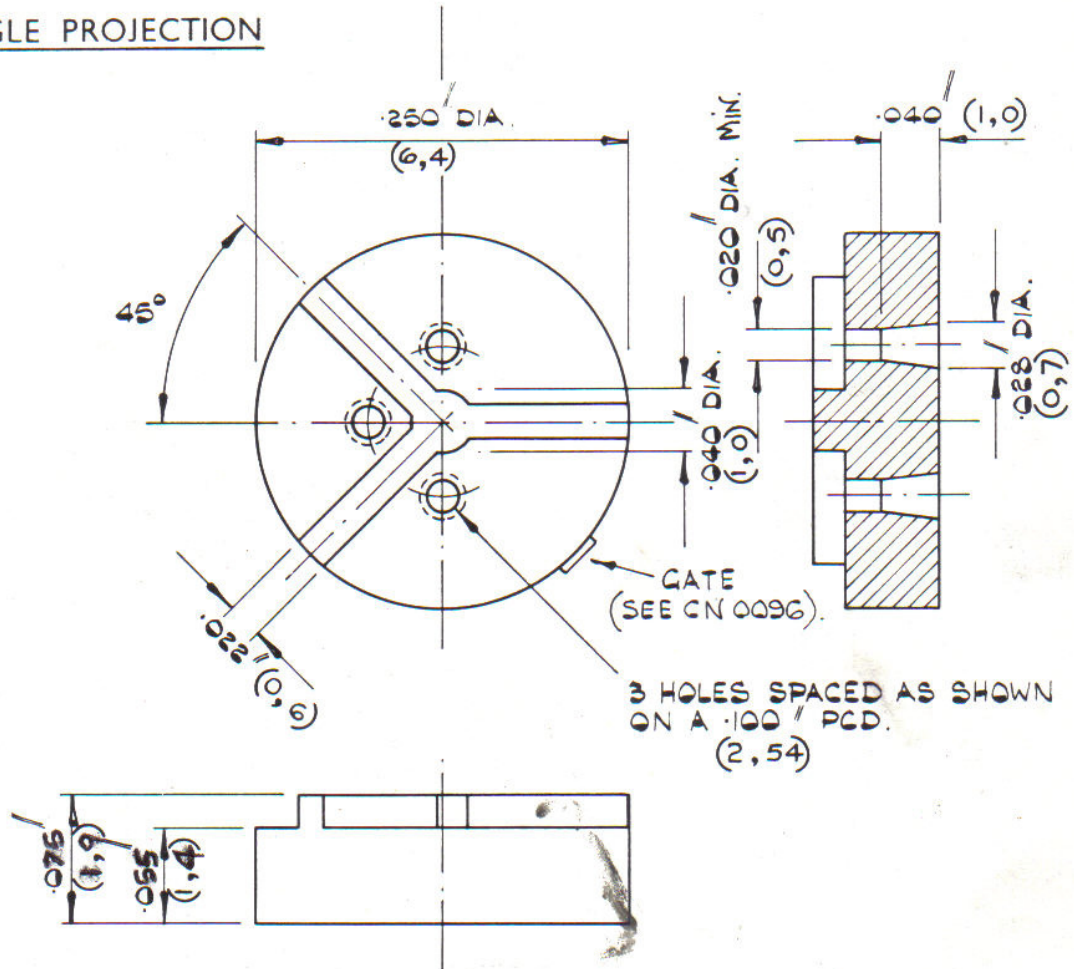


DRG. No.

A 18-1004

FOR EXPLANATION OF DIMENSIONING, ETC. SEE B.S.308
 REMOVE ALL BURRS & SHARP EDGES.
 A RADIUS OR CHAMFER .02 (MAX.) IS PERMITTED IN CORNERS
 OF BLIND HOLES, RECESSES & STEPS.

THIRD ANGLE PROJECTION



PART NO	RAT PT. NO	MATL
T018-004D	J18-1004D	A1406

25-1-11	G	*075 x .055 W/LE .086 x .064 <small>TOOL DESIGN</small>	AE
4.1.79	F	CN N° 0096	RN

DATE	CHANGES		
20.5.69.	B	REDRAWN - .040" DIA. ADDED.	AE
20-5-71	C	EQUIV. METRIC DIMS. ADDED.	AE
14.1.77	D	MATERIAL AMENDED.	AE
28-2-78	E	Re No.	NS

TOLERANCE	DRAWN	RNUNN
± .005 / U.O.S.	TRACED	
(0,13)	CHECKED	
MATERIAL	DATE	20.5.69.
 	SCALE: 8 : 1	DRG. No.
	DIMS. INCHES (mm)	A 18-1004.

JERMYN INDUSTRIES

VESTRY ESTATE, OTFORD, NR. SEVENOAKS, KENT.

A SIZE.