



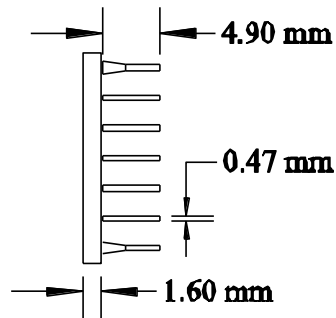
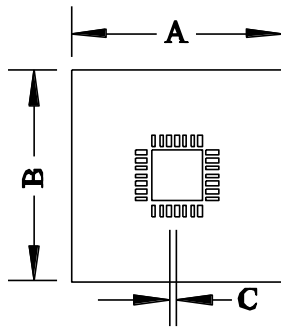
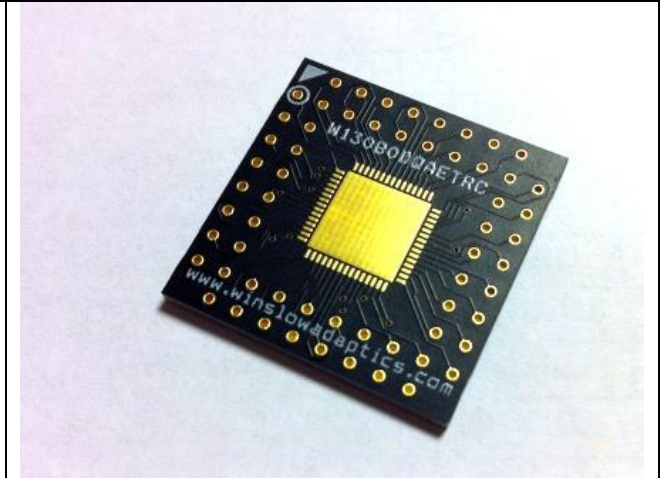
WINSLOW ADAPTICS

Data Sheet - QFN to PGA Generic Adapters

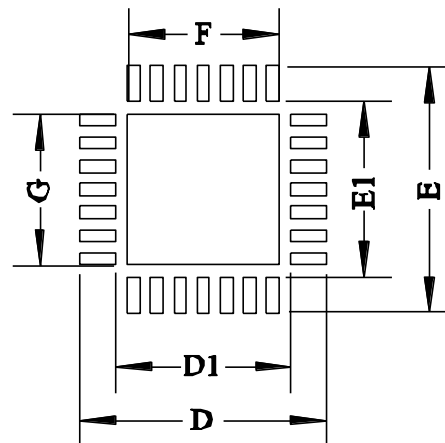
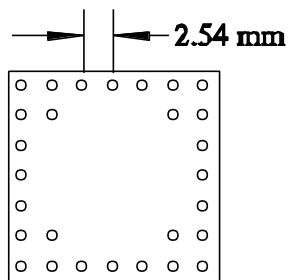
These adapters allow the prototyping of QFN, DFN and UTDFN devices on a 2.54mm pitch development board.

The top of the adapter has surface mount pads to which the surface mount device can be soldered.

The underside of the adapter has male PGA pins on 2.54mm pitch. These can either be soldered into a PCB or mated with any standard PGA socket.



Exploded View



Pin number shown for representation only



WINSLOW ADAPTICS

Adapter Dimension Table

Part Number	Body Size	Number of Pins	A	B	C (lead pitch)	D	D1	E	E1	F	G
WA13062DQAET	3 x 3	4(2x2)	7.62	7.62	0.4mm	3.75	1.65	3.75	1.65	1.25	1.25
WA13041DQAET		6(3x2)	7.62	7.62	0.4mm	1.40	0.20	1.40	0.20	NP*	NP*
WA13028DQAET		8(4x2)	10.16	7.62	1.27mm	6.85	3.85	NP*	NP*	NP*	NP*
WA13082DQAET	2 x 2	8	7.62	7.62	0.5mm	2.80	1.20	2.80	1.20	0.80	0.80
WA13088DQAET	3 x 3	8	7.62	7.62	0.65mm	3.80	2.20	3.80	2.20	1.80	1.80
WA13024DQAET	3 x 3	8	7.62	7.62	0.8mm	4.55	2.65	NP*	NP*	NP*	NP*
WA13063DQAET	4 x 5	10	10.16	12.7	0.8mm	4.85	2.75	5.85	3.75	2.30	3.30
WA13046DQAET	4 x 4	12	10.16	10.16	0.8mm	4.65	2.75	4.65	2.75	2.25	2.25
WA13083DQAET	3 x 3	12	10.16	10.16	0.5mm	3.80	2.20	3.80	2.20	1.25	1.25
WA13084DQAET	4 x 4	12	10.16	10.16	0.65mm	4.80	3.20	4.80	3.20	2.80	1.80
WA13064DQAET	3 x 3	14	10.16	10.16	0.5mm	3.30	1.90	3.30	1.90	1.45	1.45
WA13094DQAET	4 x 4	14	10.16	10.16	0.8mm	4.85	2.75	4.85	2.75	2.30	2.30
WA13102DQAET	3 x 3	16	12.70	12.70	0.5mm	3.75	2.05	3.75	2.05	1.25	1.25
WA13089DQAET	4 x 4	16	12.70	12.70	0.65mm	4.80	3.00	4.80	3.00	2.40	2.40
WA13095DQAET	5 x 5	16	12.70	12.70	0.8mm	5.75	4.05	5.75	4.05	3.20	3.20
WA13065DQAET	5 x 4	18	12.70	12.70	0.65mm	4.75	2.65	5.75	3.65	2.25	3.25
WA13096DQAET	6 x 5	18	12.70	12.70	0.8mm	5.75	3.65	6.75	4.65	3.25	4.25
WA13023DQAET	4 x 4	20	17.78	17.78	0.5mm	4.30	2.70	4.30	2.70	NP*	NP*
WA13090DQAET	5 x 5	20	17.78	17.78	0.65mm	5.75	3.65	5.75	3.65	3.00	3.00
WA13097DQAET	6 x 6	20	17.78	17.78	0.8mm	6.75	4.65	6.75	4.65	4.25	4.25
WA13066DQAET	6 x 5	22	15.24	15.24	0.65mm	5.85	3.75	6.85	4.75	3.25	4.25
WA13039DQAET	4 x 4	24	15.24	15.24	0.5mm	4.60	3.00	4.60	3.00	NP*	NP*
WA13052DQAET	5 x 4	24	17.78	17.78	0.5mm	4.85	2.75	5.85	3.75	2.25	3.25
WA13091DQAET	5 x 5	24	12.70	12.70	0.65mm	5.80	4.00	5.80	4.00	3.25	3.25
WA13098DQAET	6 x 6	24	12.70	12.70	0.8mm	6.85	4.75	6.85	4.75	4.30	4.30

WA13076DQAET	4 x 4	28	12.70	12.70	0.4mm	4.75	3.05	4.75	3.05	2.25	2.25
WA13038DQAET	6 x 6	28	12.70	12.70	0.65mm	6.90	4.90	6.90	4.90	NP*	NP*
WA13077DQAET	5 x 5	28	12.70	12.70	0.5mm	5.80	3.80	5.80	3.80	3.25	3.25
WA13099DQAET	7 x 7	28	17.78	17.78	0.8mm	7.85	5.75	7.85	5.75	5.25	5.25
WA13020DQAET	5 x 5	32	17.78	17.78	0.5mm	5.80	4.00	5.80	4.00	3.25	3.25
WA13092DQAET	7 x 7	32	17.78	17.78	0.65mm	7.80	6.10	7.80	6.10	5.80	5.80
WA13100DQAET	8 x 8	32	20.32	20.32	0.8mm	8.85	6.75	8.85	6.75	6.25	6.25
WA13067DQAET	6 x 6	36	17.78	17.78	0.5mm	6.75	4.65	6.75	4.65	4.00	4.00
WA13093DQAET	8 x 8	36	20.32	20.32	0.65mm	8.80	7.20	8.80	7.20	6.80	6.80
WA13101DQAET	9 x 9	36	20.32	20.32	0.8mm	9.80	7.60	9.80	7.60	NP*	NP*
WA13026DQAET	5 x 7	38	20.32	20.32	0.5mm	5.90	3.90	8.10	6.10	NP*	NP*
WA13068DQAET	5 x 5	40	20.32	20.32	0.4mm	5.80	4.00	5.80	4.00	3.40	3.40
WA13075DQAET	6 x 6	40	20.32	20.32	0.5mm	6.75	5.10	6.75	5.10	4.20	4.20
WA13085DQAET	8 x 8	40	20.32	20.32	0.65mm	8.85	6.75	8.85	6.75	6.25	6.25
WA13054DQAET	7 x 7	44	20.32	20.32	0.5mm	7.70	5.70	7.70	5.70	4.85	4.85
WA13086DQAET	9 x 9	44	20.32	20.32	0.65mm	9.80	8.20	9.80	8.20	NP*	NP*
WA13069DQAET	6 x 6	48	20.32	20.32	0.4mm	6.80	5.00	6.80	5.00	4.40	4.40
WA13078DQAET	7 x 7	48	20.32	20.32	0.5mm	7.80	6.10	7.80	6.10	5.60	5.60
WA13087DQAET	9 x 9	48	20.32	20.32	0.65mm	9.80	8.20	9.80	8.20	7.80	7.80
WA13070DQAET	8 x 8	52	22.86	22.86	0.5mm	8.85	6.75	8.85	6.75	6.25	6.25
WA13071DQAET	7 x 7	56	22.86	22.86	0.4mm	7.75	5.85	7.75	5.85	5.40	5.40
WA13079DQAET	8 x 8	56	22.86	22.86	0.5mm	8.80	7.00	8.80	7.00	6.25	6.25
WA13080DQAET	9 x 9	60	25.40	25.40	0.5mm	9.80	8.20	9.80	8.20	7.80	7.80
WA13072DQAET	9 x 9	64	25.40	25.40	0.5mm	9.85	7.95	9.85	7.95	7.45	7.45
WA13081DQAET	10 x 10	68	25.40	25.40	0.5mm	10.75	8.65	10.75	8.65	7.85	7.85
WA13103DQAET	10 x 10	72	27.94	27.94	0.5mm	10.85	8.95	10.85	8.95	8.45	8.45
WA13074DQAET	12 x 12	80	27.94	27.94	0.5mm	12.75	10.65	12.75	10.65	10.25	10.25

NP* - Adapter contains no central GND pad

Dimensions are provisional and may be subject to change