



WINSLOW ADAPTICS

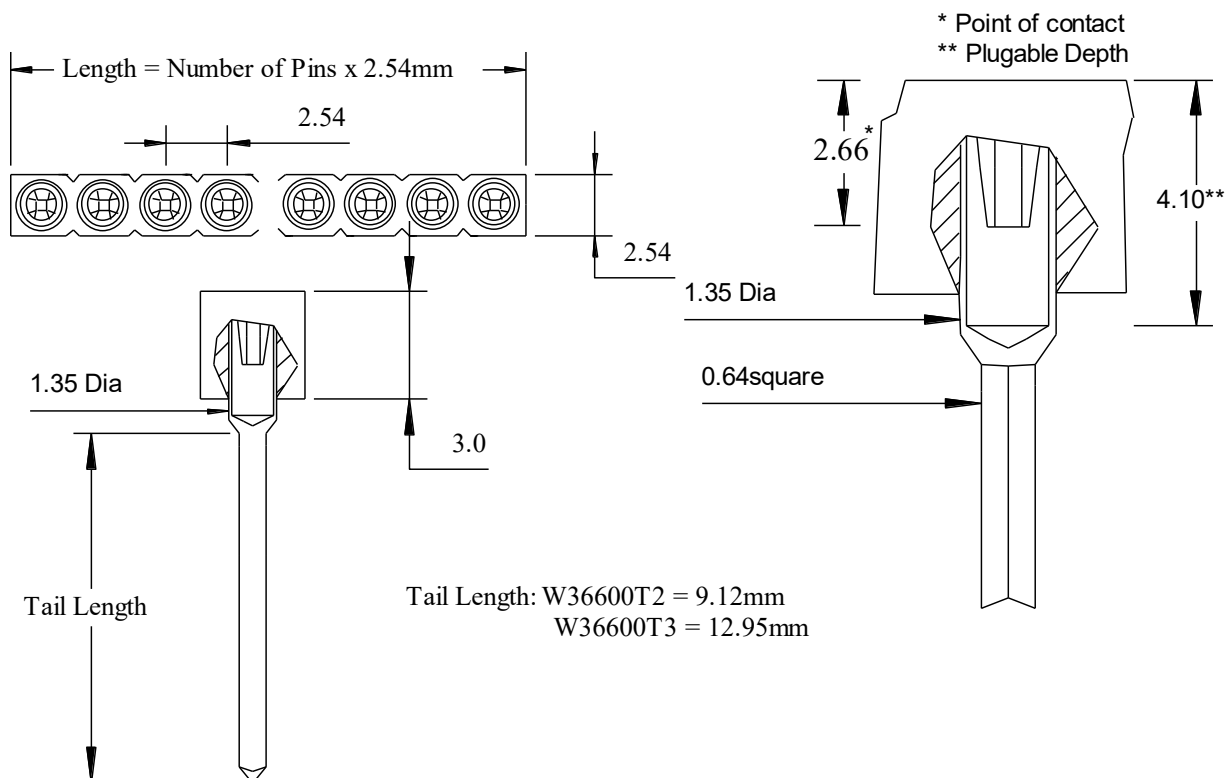
Data Sheet

Screw Machined Wire Wrap Single Row I.C. Sockets W36600TRC2 - W36600T2 - W36600G2 W36600TTRC2 - W36600TRC3 - W36600T3 W36600G3 - W36600TTRC3

The W36600 Series uses a screw machined half hard brass outer pin with a beryllium copper contact. The Outer pin has 3 plating options; RoHS compliant Tin, Tin/Lead or Gold. The beryllium copper contact can be Gold or pure Tin. Moulding material is 30%GF PBT rated to UL 94 V-0 and features include a pin incorporating a straight knurled barrel to alleviate pin rotation during the wrapping process. The following table explains the plating options for the range. The numbers 2 and 3 at the end of the part number relates to the pin tail length. Please see drawing below.



SUFFIX	OUTER PLATING	CONTACT PLATING
TRC	Pure Tin (RHoS Compliant)	Gold
T	Tin Lead	Gold
G	Gold	Gold
TTRC	Pure Tin (RHoS Compliant)	Pure Tin (RHoS Compliant)





WINSLOW ADAPTICS

Data Sheet

Screw Machined Wire Wrap Single Row I.C. Sockets W36600TRC2 - W36600T2 - W36600G2

General Specifications. Unless stated all values are typical.

Contact

Resistance:	See test results below.	Current Rating:	5.0 amps
Capacitance:	0.35pF max	Material:	Brass outer, beryllium copper inner.
*Plating: Outer;	W36600TRC	Nickel 2.5Um/Pure Tin 6.0Um	
	W36600T	60/40 tin/lead 2-3Um.	
	W36600G	Nickel 2.5Um/Gold 0.1Um	
	W36600TTTRC	Nickel 2.5Um/Pure Tin 6.0Um	
*Plating: Inner;	W36600TRC	Nickel 2.5Um/Gold 0.1Um	
	W36600T	Nickel 2.5Um/Gold 0.1Um	
	W36600G	Nickel 2.5Um/Gold 0.1Um	
	W36600TTTRC	Nickel 2.5Um/ Pure Tin 0.1Um	

Note: Other plating specs available. Please contact sales@winslowadaptics.com with your requirements.

Insertion Force:	350 grams per pin 0.018" diameter
Withdrawal Force:	250 grams per pin 0.018" diameter.
Force to remove from moulding:	12lb minimum

Moulding

Material:	Glass-reinforced Polyester (PBT)
Insulation Resistance:	1010 Ohms (contact to contact) at 500VDC
Arc Resistance:	145 seconds at 23 degrees C
Electrical Strength:	121KV/cm at 23 degrees C
Dielectric Constant:	3.9 (48 hrs 90%RH) at 100Hz 23 degrees C
	4.5 at 100Hz 121 degrees C
	3.7 (48 hrs 90%RH) at 1MHz 23 degrees C
	4.3 at 1MHz 121 degrees C
Dissipation Factor:	0.0077 (48 hrs 30%RH) at 100Hz 23 degrees C
	0.0300 at 100Hz 121 degrees C
	0.0150 (48 hrs 30%RH) at 1MHz 23 degrees C
	0.0200 at 1MHz 121 degrees C
Volume Resistivity:	3 x 10 ¹³ ohms-CM (48 hrs 90%RH) at 25 degrees C
	10 ¹³ ohms-CM at 121 degrees C
Operating Temperature:	-65 to 150 degrees C
Flammability:	UL94V-0

Note: Dimensions are subject to change without prior notice.

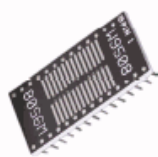
sales@winslowadaptics.com

DIP Support products from Winslow Adaptics

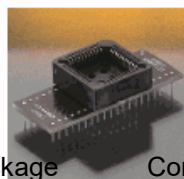
www.winslowadaptics.com



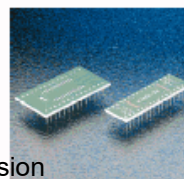
Custom Upgrades



Package



Conversion



Pitch Change

Also available from Winslow Adaptics are cost effective, time saving solutions to test, obsolescence, supply problems and upgrades. OEMs can upgrade equipment with custom Adaptics utilising additional logic, often saving considerable cost and time on re-design. If lead-time becomes an issue contact us for a suitable package convertor. We specialise in conversion of all package lead-frames.