



# WINSLOW ADAPTICS

## W3435G TRANSISTOR SOCKET TO18 STYLE, 3 PIN, 0.2" PCD

TO18 3 Pin Circular Transistor Socket with stamped contacts.

The moulding features anti-moisture trapping feet and generously countersunk lead-ins with pin one identification.

INSULATOR: 30% GLASS FILLED POLYESTER RATED UL94V-0

CONTACT: NICKEL GOLD PLATED PHOSPHOR BRONZE.

INSERTION FORCE: 200g

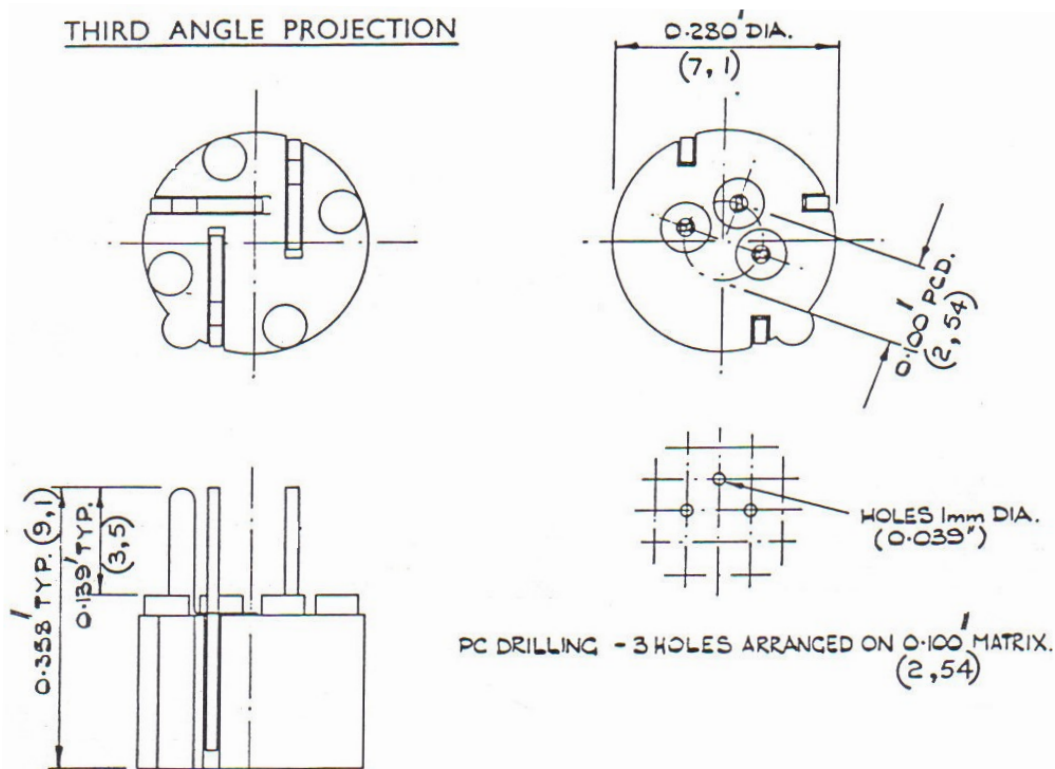
WITHDRAWAL FORCE: 150g

ACCEPTABLE PIN SIZE: 0.50mm

TEMPERATURE RANGE: -65C TO +150C



### THIRD ANGLE PROJECTION



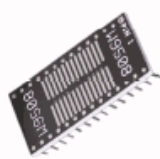
[sales@winslowadaptics.com](mailto:sales@winslowadaptics.com)

DIP Support products from Winslow Adaptics

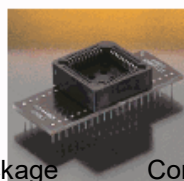
[www.winslowadaptics.com](http://www.winslowadaptics.com)



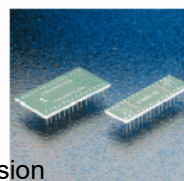
Custom Upgrades



Package



Conversion



Pitch Change

Also available from Winslow Adaptics are cost effective, time saving solutions to test, obsolescence, supply problems and upgrades. OEMs can upgrade equipment with custom Adaptics utilising additional logic, often saving considerable cost and time on re-design. If lead-time becomes an issue contact us for a suitable package convertor. We specialise in conversion of all package lead-frames.