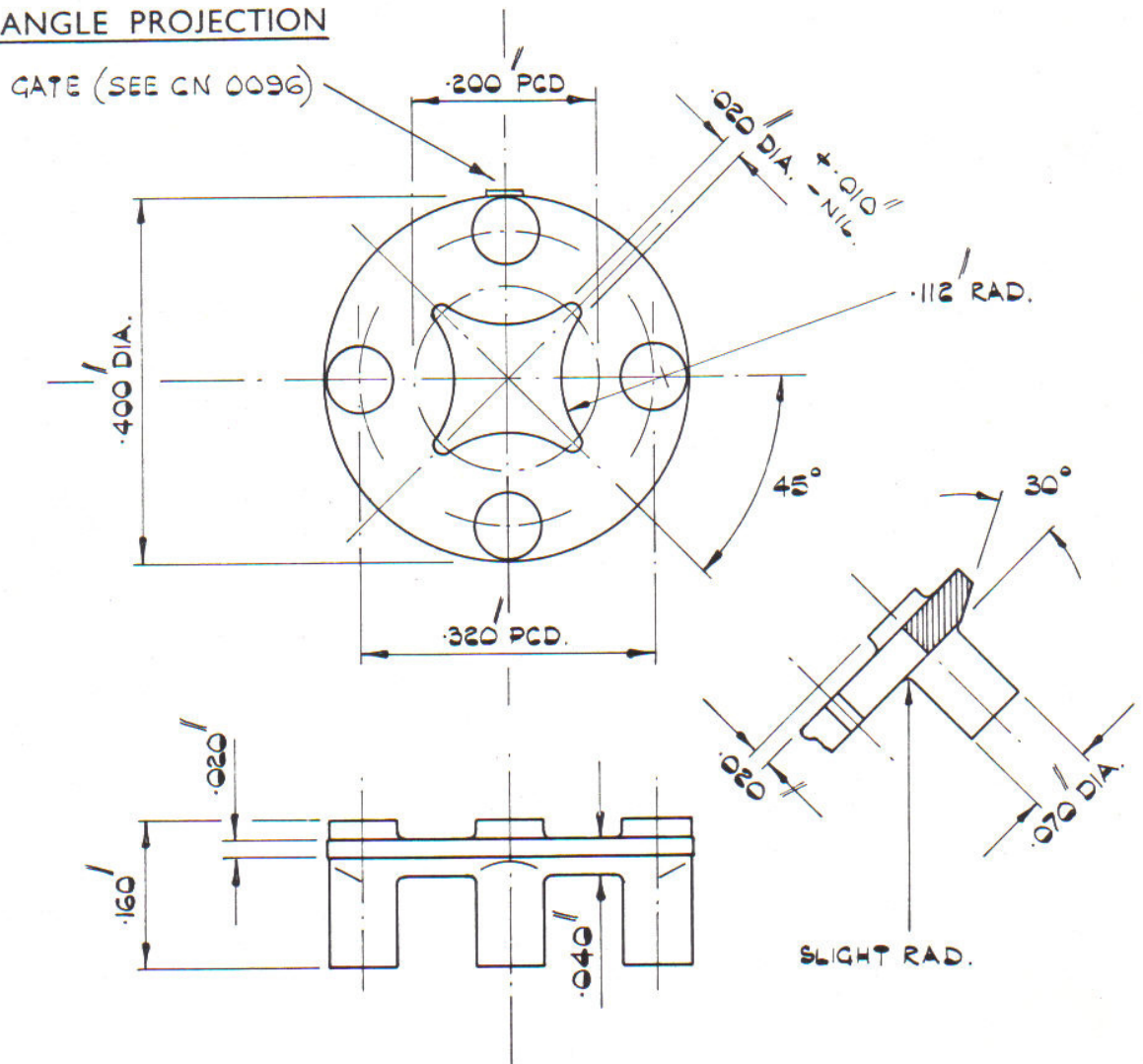


DRG. No.
A05 1011

FOR EXPLANATION OF DIMENSIONING, ETC. SEE B.S.308
REMOVE ALL BURRS & SHARP EDGES.
A RADIUS OR CHAMFER .02 (MAX.) IS PERMITTED IN CORNERS
OF BLIND HOLES, RECESSES & STEPS.

THIRD ANGLE PROJECTION



TYPE	RAT PT NO	MAT'L
T05-011 D	J05-1011 D	A140G

DATE	CHANGES	
7.7.70	A	TYPE NUMBER ADDED.
13.3.78	B	DRGNO WAS A21-2008. RN.
4.1.79	C	CN NO 0096. RN.
TITLE TRANSISTOR MOUNTING PAD		

TOLERANCE ±.005 U.O.S.	DRAWN R NUNN
MATERIAL SEE TABLE	TRACED
SCALE: 5 : 1	CHECKED
DIMS. INCHES	DATE 19.5.69.
DRG. No. A05 1011	

JERMYN INDUSTRIES VESTRY ESTATE, OTFORD, NR. SEVENOAKS, KENT.

C.A.F.L. 3547/68

A SIZE.