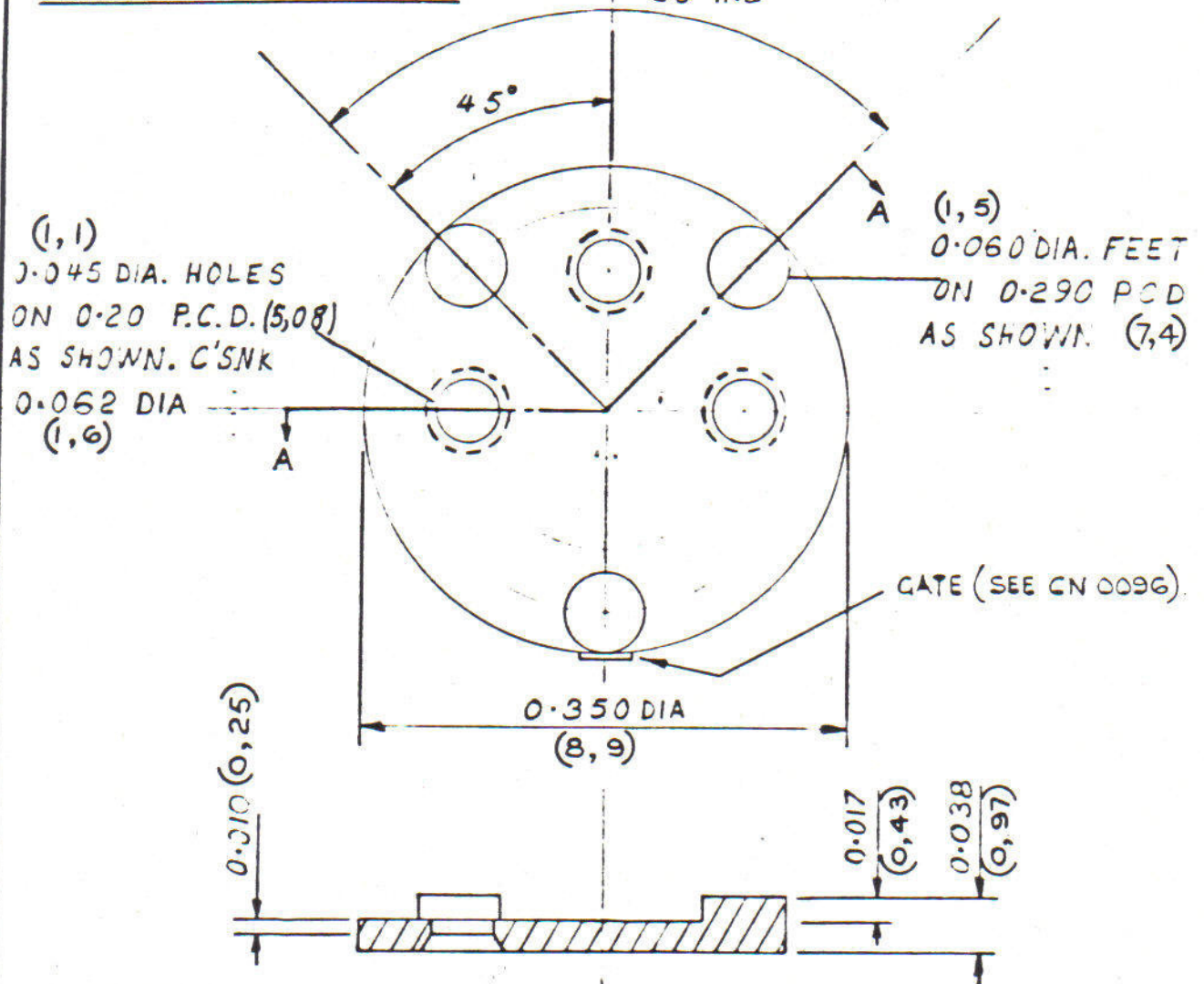


DRG. No.
A 05-1007.

FOR EXPLANATION OF DIMENSIONING, ETC. SEE B.S.308
REMOVE ALL BURRS & SHARP EDGES.
A RADIUS OR CHAMFER .02 (MAX.) IS PERMITTED IN CORNERS
OF BLIND HOLES, RECESSES & STEPS.

THIRD ANGLE PROJECTION

90° INC^L



14.2.79	F	N° 0124	SECTION A-A			
4.1.79	E	CN N° 0096	Type N°	Rat N°	Material	
			TOS-007D.	JOS-1007D	AlHob.	
5-1-68	A	MAT ^L CHANGED.	TOLERANCE		DRAWN	GF
28-7-70	B	EQUIV. METRIC DIMS. ADDED.	± .005" U.O.S.		TRACED	
10-8-72	C	TOLERANCE ADDED.	MATERIAL		CHECKED	
1.3.78	D	Drags as Allio Rat P Model CM.			DATE	10.II.1967
TITLE			SCALE: 8:1	DRG. No.		
MOUNTING Pad			DIMS. INCHES (mm)	A05-1007.		

JERMYN INDUSTRIES VESTRY ESTATE, OTFORD, NR. SEVENOAKS, KENT.

A SIZE.

W.M. 789/64