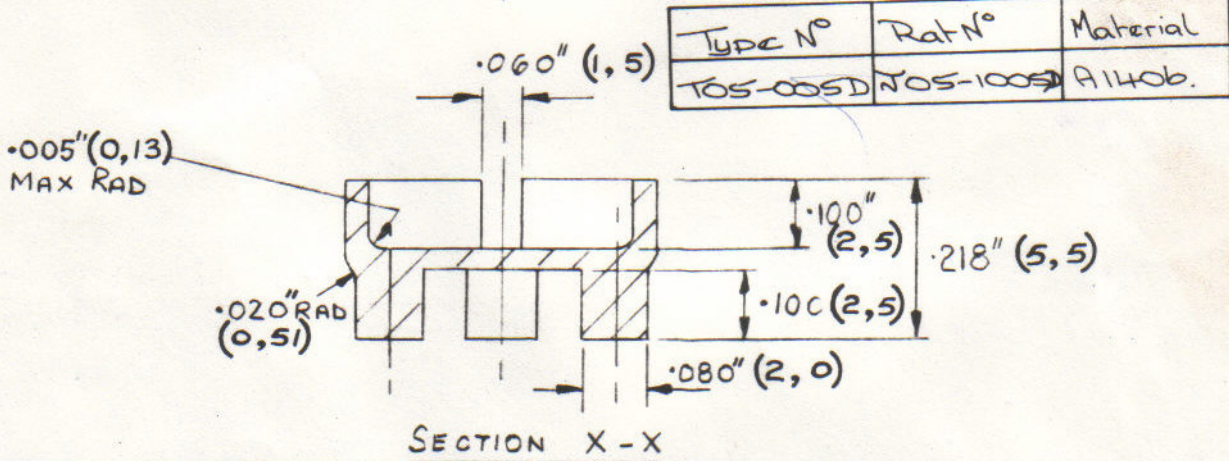
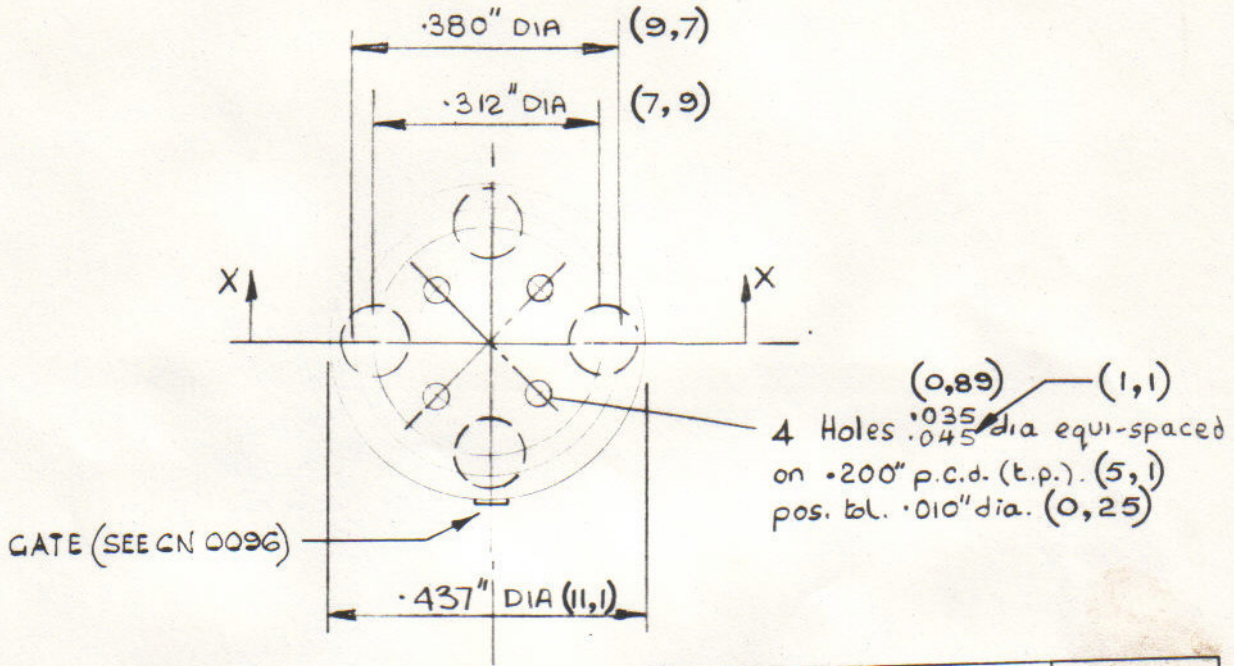


DRG. No.
A 05-1005

FOR EXPLANATION OF DIMENSIONING, ETC. SEE B.S.308
REMOVE ALL BURRS & SHARP EDGES.
A RADIUS OR CHAMFER .02 (MAX.) IS PERMITTED IN CORNERS
OF BLIND HOLES, RECESSES & STEPS.

THIRD ANGLE PROJECTION



DATE	CHANGES		TOLERANCE	DRAWN
16-1-67	A	.035/045 WAS 033/040	$\pm .010''$ (0,25) U.O.S.	<i>b.p.</i>
29-7-70	B	EQUI. METRIC DIMS. ADDED.		TRACED
1,3,78	C	DRG N° WAS A1080 Rat P N° added	MATERIAL	CHECKED
4.1.79.	D	CN N°. 0096.		DATE
TITLE			SCALE: 4 - 1	DRG. No.
MOUNTING PAD			DIMS. INCHES (mm)	A05-1005

JERMYN INDUSTRIES VESTRY ESTATE, OTFORD, NR. SEVENOAKS, KENT.