

DRG. No.

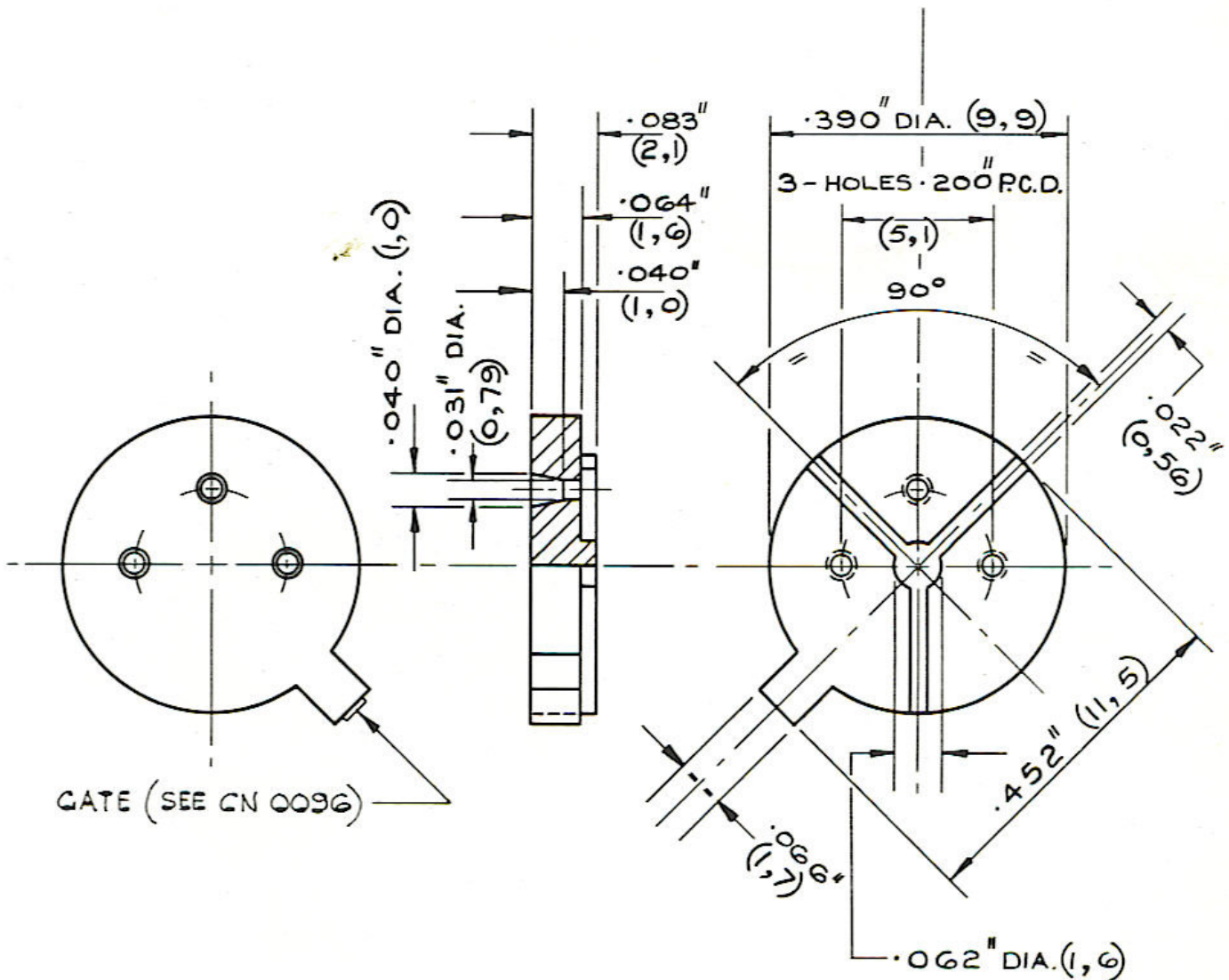
A05-1004.

FOR EXPLANATION OF DIMENSIONING, ETC. SEE B.S.308

REMOVE ALL BURRS & SHARP EDGES.

A RADIUS OR CHAMFER .02 (MAX.) IS PERMITTED IN CORNERS OF BLIND HOLES, RECESSES & STEPS.

THIRD ANGLE PROJECTION



Type N°	Rat N°	Material.
T05-004D	J05-1004D	A1406

DATE	CHANGES	
31-7-70	A	RE - DRAWN & METRIC ADDED.
1,3,78	B	Drig No was A1070 Rat PR N° added. <i>em</i>
4. 1. 79	C	CN N° 0096.

TOLERANCE	DRAWN	B. LANE.
± .010" (0,25)	TRACED	
MATERIAL	CHECKED	
	DATE	31-7-70

TITLE TO5 TRANSISTOR PAD

SCALE: 4 : 1
DIMS. INCHES (mm)
DRG. No. A05-1004.

JERMYN INDUSTRIES

VESTRY ESTATE, OTFORD, NR. SEVENOAKS, KENT.

A SIZE.