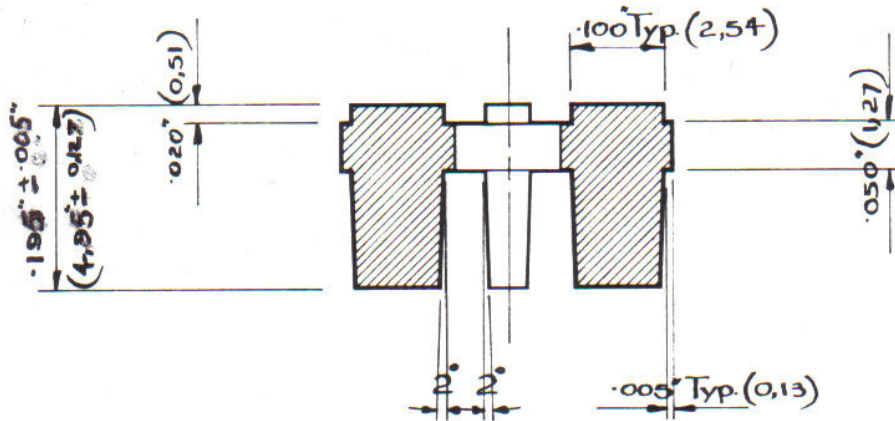
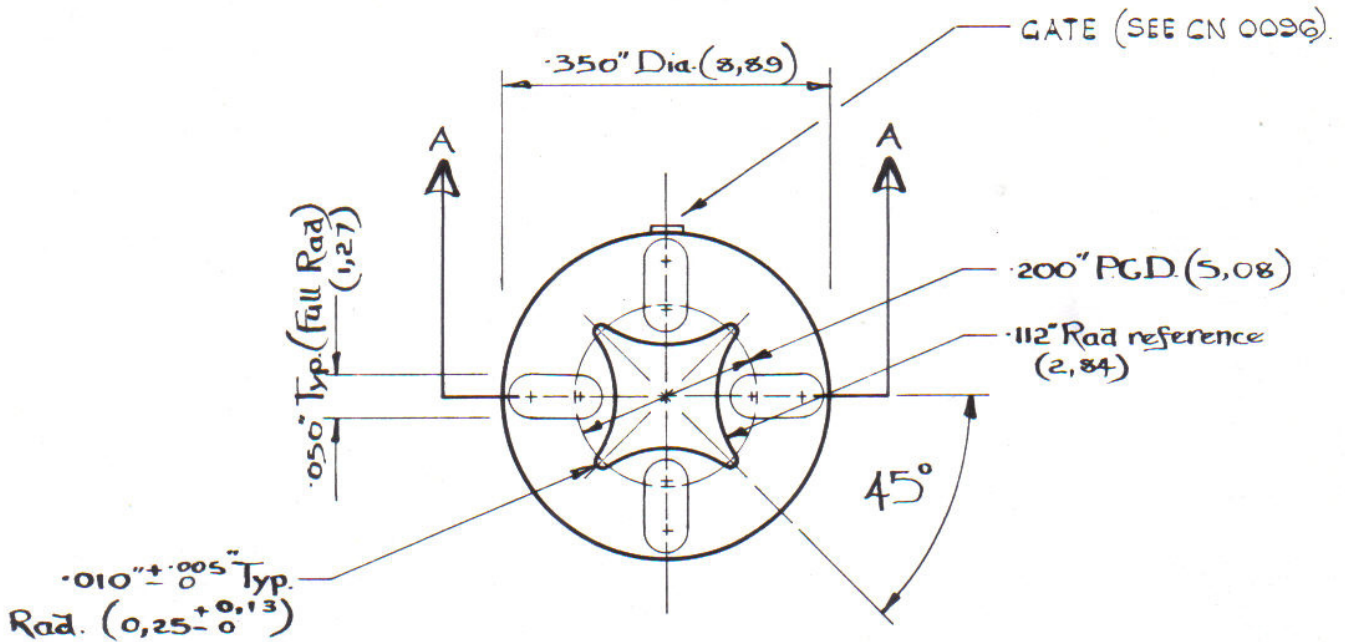


DRG. No.
A05 1003

FOR EXPLANATION OF DIMENSIONING, ETC. SEE B.S.308

THIRD ANGLE PROJECTION



SECTION A-A

DATE	ISS.	REVISION	SIG.
26-3-75	D	Tolerance ± .005" was ± .010". Metric dimensions are now to 2 places (RE-DRAWN)	A
1,3,78	E	Drwg No was A1022. Rat P-N added	RL
4.1.79	F	CN N° 0096	RN.
1-7-11	G	0.195 ± .005 WAS 0.195 ± .010	AE

Type N°	Rat N°	Material
T05-003D	J05-1003D	A 140b.

MATERIAL	FINISH
—	Natural
TOLERANCE	DRAWN
± .005" (0,13) u.o.s.	A
	TRACED
	CHECKED
	DATE
	26 th Mar '75

TITLE TRANSISTOR MOUNTING PAD.

SCALE: 5:1.
DIMS. Inches (mm)

Jermyn Manufacturing

Sevenoaks Kent
Telephone Sevenoaks (0732) 58271
Telegrams Jermyn Sevenoaks
Telex 95142

DRG. No.
A05 1003