

DRG. No.

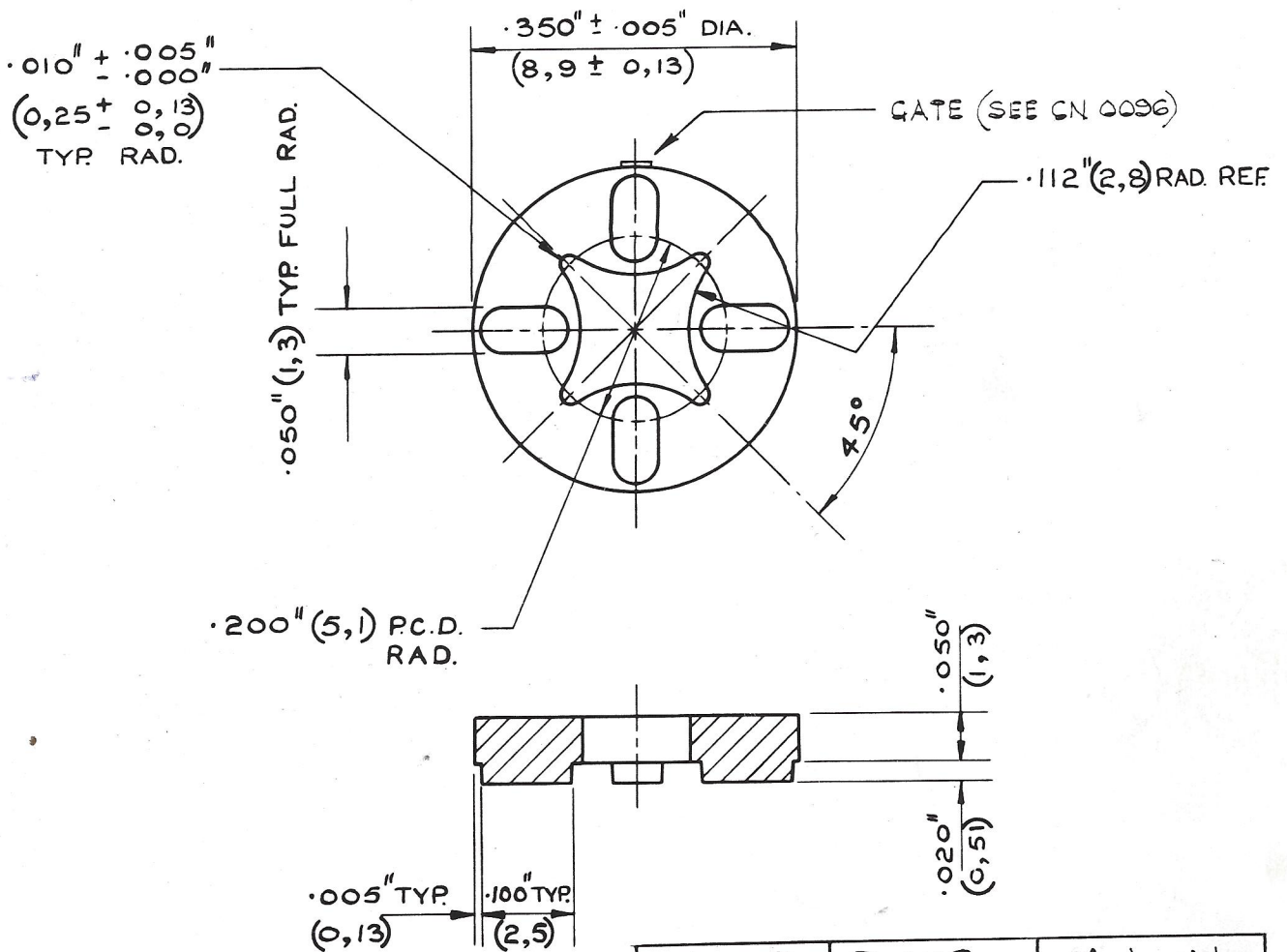
A05-1002

FOR EXPLANATION OF DIMENSIONING, ETC. SEE B.S.308

REMOVE ALL BURRS & SHARP EDGES.

A RADIUS OR CHAMFER .02 (MAX.) IS PERMITTED IN CORNERS OF BLIND HOLES, RECESSES & STEPS.

THIRD ANGLE PROJECTION



Type N°	Rat N°	Material.
T05-002D	J05-002D	AlH06

DATE	CHANGES		TOLERANCE	DRAWN	B. LANE.
5-8-70	C	RE - DRAWN & METRIC ADDED.	$\pm .010$ (0,25)	TRACED	
19-10-77	D	MATERIAL CHANGED SPEC ADDED	MATERIAL	CHECKED	
1,3,78	E	Drw N° 005 91015 Rat N° added		DATE	5-8-70
4.1.79	F	CN N° 0096.		DRG. No.	A05-1002
TITLE TRANSISTOR MOUNTING PAD			SCALE: 5 : 1		
			DIMS. INCHES (m.m.)		

JERMYN INDUSTRIES

VESTRY ESTATE, OTFORD, NR. SEVENOAKS, KENT.

C.A.F.L.3567/88

A SIZE.