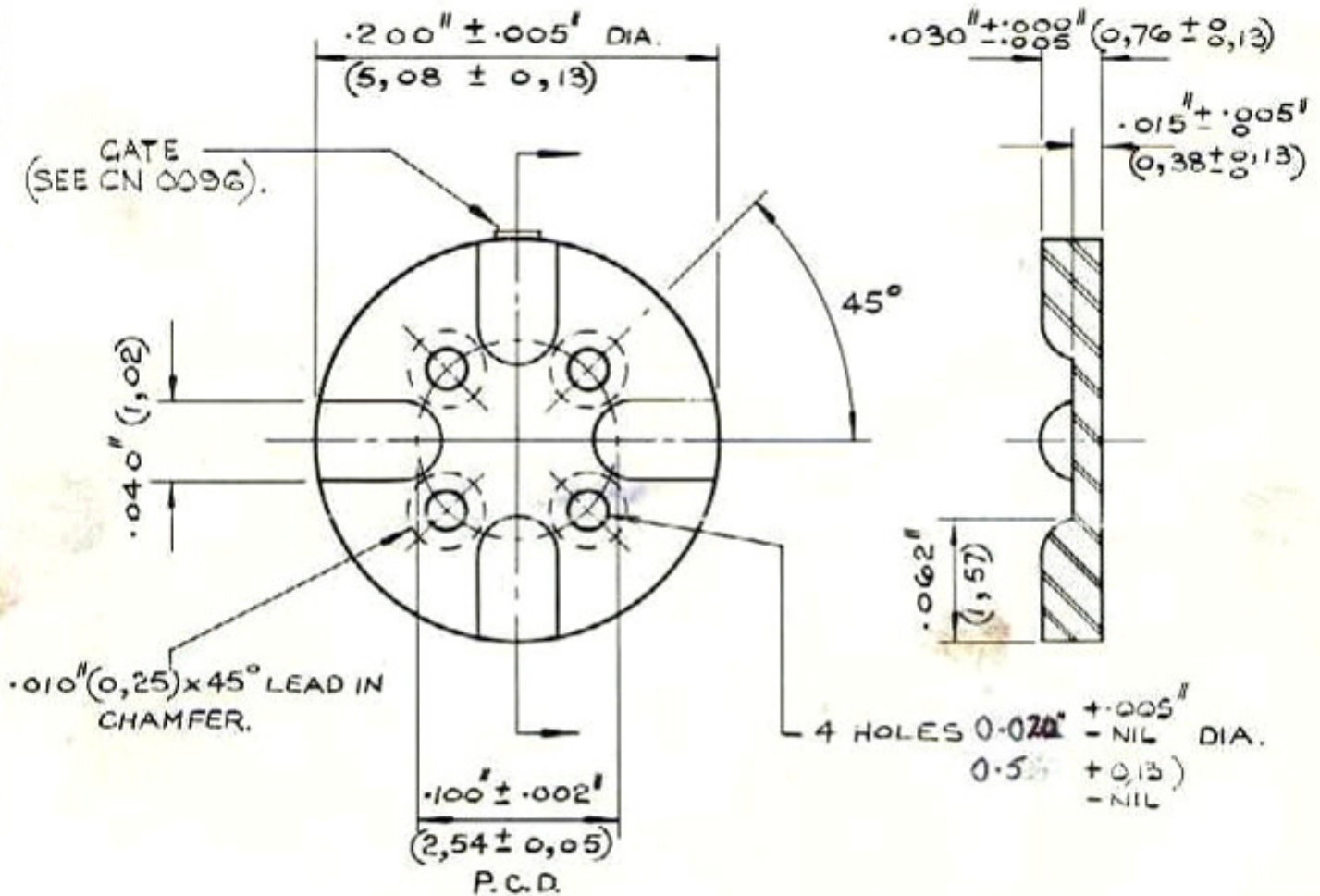


DRG. No.  
A 18-1015.

FOR EXPLANATION OF DIMENSIONING, ETC. SEE B.S.308  
REMOVE ALL BURRS & SHARP EDGES.  
A RADIUS OR CHAMFER .02 (MAX.) IS PERMITTED IN CORNERS  
OF BLIND HOLES, RECESSES & STEPS.

THIRD ANGLE PROJECTION



9-11-11	I	4 HOLES CHANGED $0-020'' \pm .005''$ ( $0,51 \pm 0,13$ )	AE
5. 1. 79	G	CN N° 0096	RN

Type	Ref. N°	Mat
T018-015D	J18-1015D	A1406

DATE	CHANGES	
12-9-73	C	RE-DRAWN, METRIC ADDED.
14-1-77	D	MATERIAL AMENDED.
10.3.78	E	DRG N° Was A12A Ref. P.N° added
17. 5. 78	F	HOLES WERE $0-020'' \pm .001''$ DIA. RN.

TOLERANCE	± .010'' ( $0,25$ ) U.O.S.	DRAWN	B-LANE
MATERIAL	—	TRACED	
		CHECKED	J. WINSLOW.
		DATE	12-9-73

TITLE TRANSISTOR MOUNTING PAD		SCALE: 10-1	DRG. No.
9-1-95	H	4 HOLES INCREASED TO $0-022'' \pm .005''$ DIA. RN.	A 18-1015.

DIMS. INCHES (mm)	A 18-1015.
-------------------	------------

**JERMYN INDUSTRIES**

VESTRY ESTATE, OTFORD, NR. SEVENOAKS, KENT.