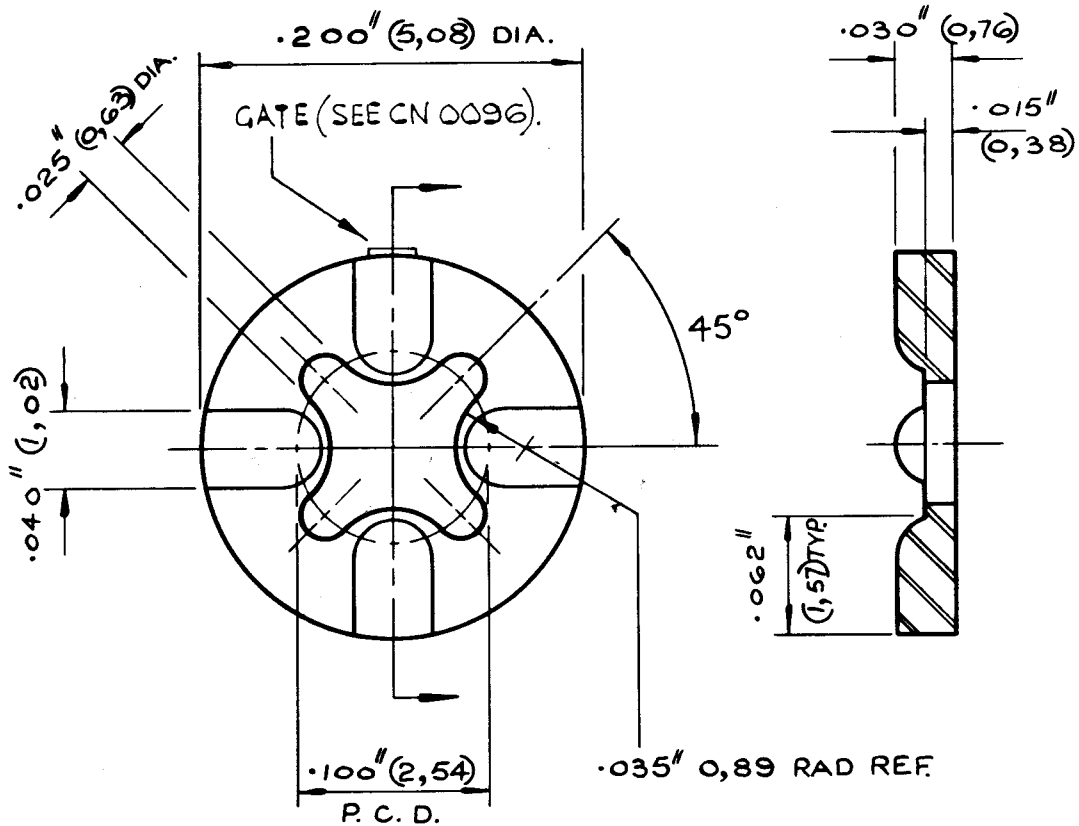


DRG. No.

A 18-1014.

FOR EXPLANATION OF DIMENSIONING, ETC. SEE B.S.308
 REMOVE ALL BURRS & SHARP EDGES.
 A RADIUS OR CHAMFER .02 (MAX.) IS PERMITTED IN CORNERS
 OF BLIND HOLES, RECESSES & STEPS.

THIRD ANGLE PROJECTION



11-11-08	F	TOLS AMENDED ±0.010"	AB	TYPE N°	Rat N°	Material.
5.1.79	E	CN N° 0096	RN	T018-014D	J18-1014D	A1406.
<u>DATE</u>	<u>CHANGES</u>					
13-9-73	A	RE-DRAWN METRIC ADDED.		TOLERANCE ±.010' (0.25) U.O.S.	DRAWN	B. LANE
8-3-74	B	TOLS. AMENDED ±.005" WAS ±.010"			TRACED	
14-1-71	C	MATERIAL AMENDED.		MATERIAL	CHECKED	
14-3-78	D.	DRG N° WAS A1204. Ref Pt N° ADDED.	CM.		DATE	13-9-73
<u>TITLE</u>	TRANSISTOR MOUNTING PAD			<u>SCALE:</u> 10-1	<u>DRG. No.</u>	
				<u>DIMS. INCHES (mm)</u>	A 18-1014.	

JERMYN INDUSTRIES VESTRY ESTATE, OTFORD, NR. SEVENOAKS, KENT.

C.A.F.L. 3367/83

A SIZE.