

DRG. No.

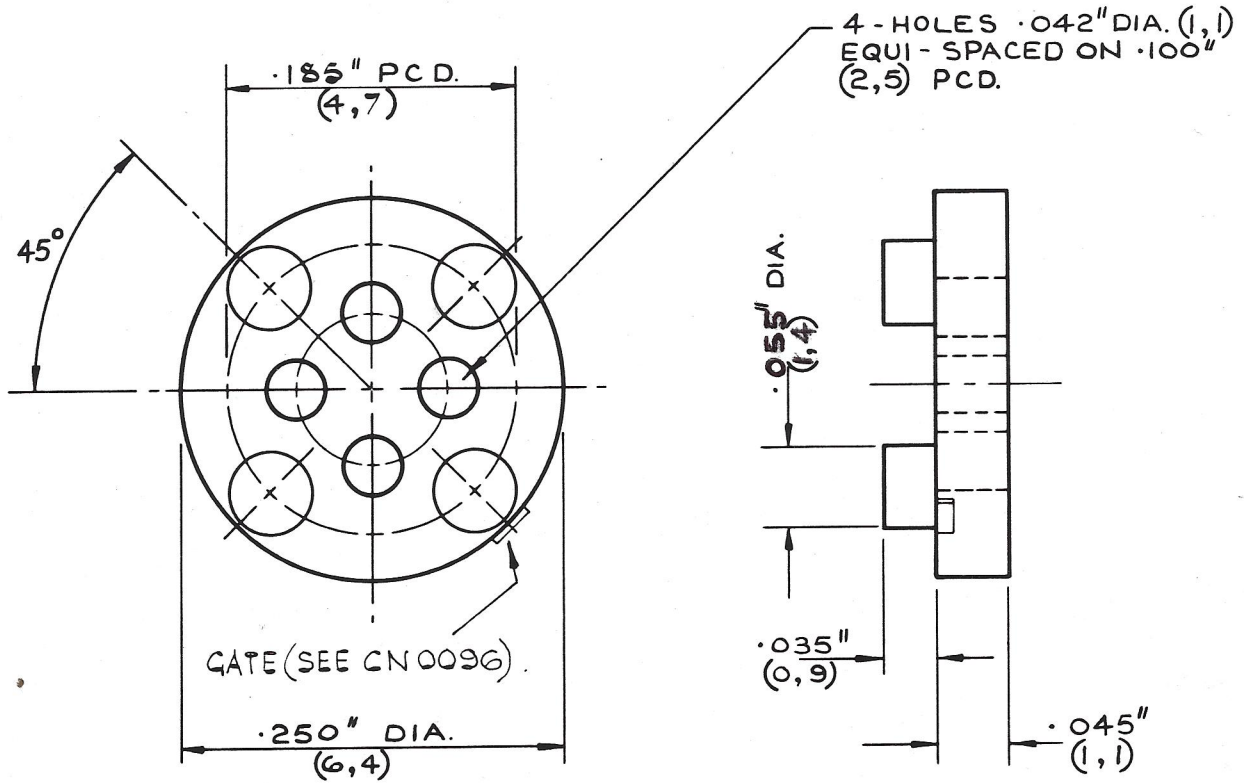
A 18-1013.

FOR EXPLANATION OF DIMENSIONING, ETC. SEE B.S.308

REMOVE ALL BURRS & SHARP EDGES.

A RADIUS OR CHAMFER .02 (MAX.) IS PERMITTED IN CORNERS OF BLIND HOLES, RECESSES & STEPS.

THIRD ANGLE PROJECTION



| | | | | | | |
|--------------------------------------|----------------|---------------------------------------|-----|----------------------------|------------|-------------------|
| 9-11-11 | H | .055" (1,4) WAS .060" (1,5) | AE | | | |
| 5.1.79 | G | CN NO 0096. | RN. | Type No | Rat No | Material. |
| 14,3,78 | F | Drig No was A1181 Rat Pt No added. | EM. | T018-013.D. | J18-1013D. | A1406. |
| DATE | CHANGES | | | | | |
| 14-6-71 | B | RE-DRAWN METRIC & TOLS. ADDED. | | TOLERANCE ±.005 (0,13). | | DRAWN B. LANE. |
| 19.10.72 | C | TOLERANCE WAS ±.010" (0,25). | | MATERIAL | | TRACED |
| 7.12.72 | D | PCD. OF FEET WAS .190" (4,8). | | | | CHECKED |
| 14-1-77 | E | MATERIAL AMENDED. | | | | DATE 14-6-71 |
| TITLE TRANSISTOR MOUNTING PAD | | | | SCALE: 8:1 | | DRG. No. |
| | | | | DIMS. INCHES. (m.m) | | A 18-1013. |

JERMYN INDUSTRIES

VESTRY ESTATE, OTFORD, NR. SEVENOAKS, KENT.

CA.F.L.3567/83

A SIZE.

