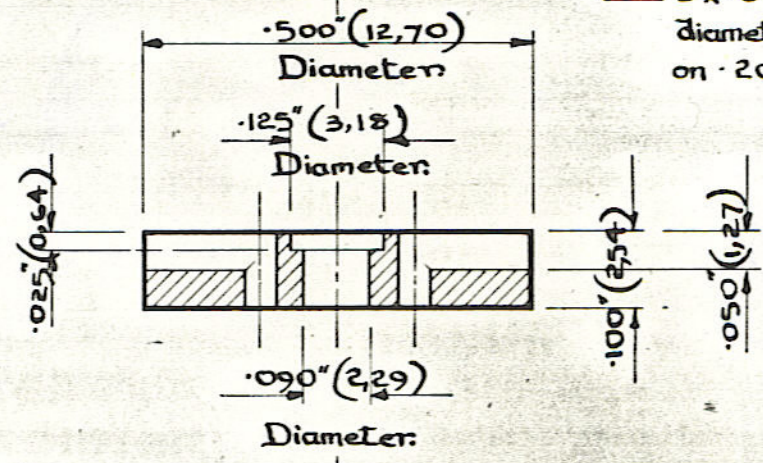


8 x $.042 \pm .005$ " (1.07 ± 0.13)
 diameter holes equispaced
 on $.200$ " (5.08) P.C.D.



SECTION A-A

DATE	ISS.	REVISION	SIG.	Type No	Rat No	Material
6-11-74	B	Lower (section) view reversed to correct projection, was 1 st L.	A.	H9-8L	J27-1080	A11406.
13-3-75	C	GENERAL TOLERANCE WAS $\pm .010$ "	B.L.			
15-3-78	D	Drwg No was A1088/B Rat Pt No added	EM	MATERIAL	FINISH	Natural.
				TOLERANCE	DRAWN	A.
				$\pm .005$ " (0,13) U.O.S.	TRACED	—
TITLE MICROLOGIC MOUNTING PAD				SCALE: 4:1.	CHECKED	—
				DIMS: Inches (mm)	DATE	6 th November 74.

Jermyn Manufacturing

Sevenoaks Kent
 Telephone Sevenoaks (0732) 58271
 Telegrams Jermyn Sevenoaks
 Telex 95142