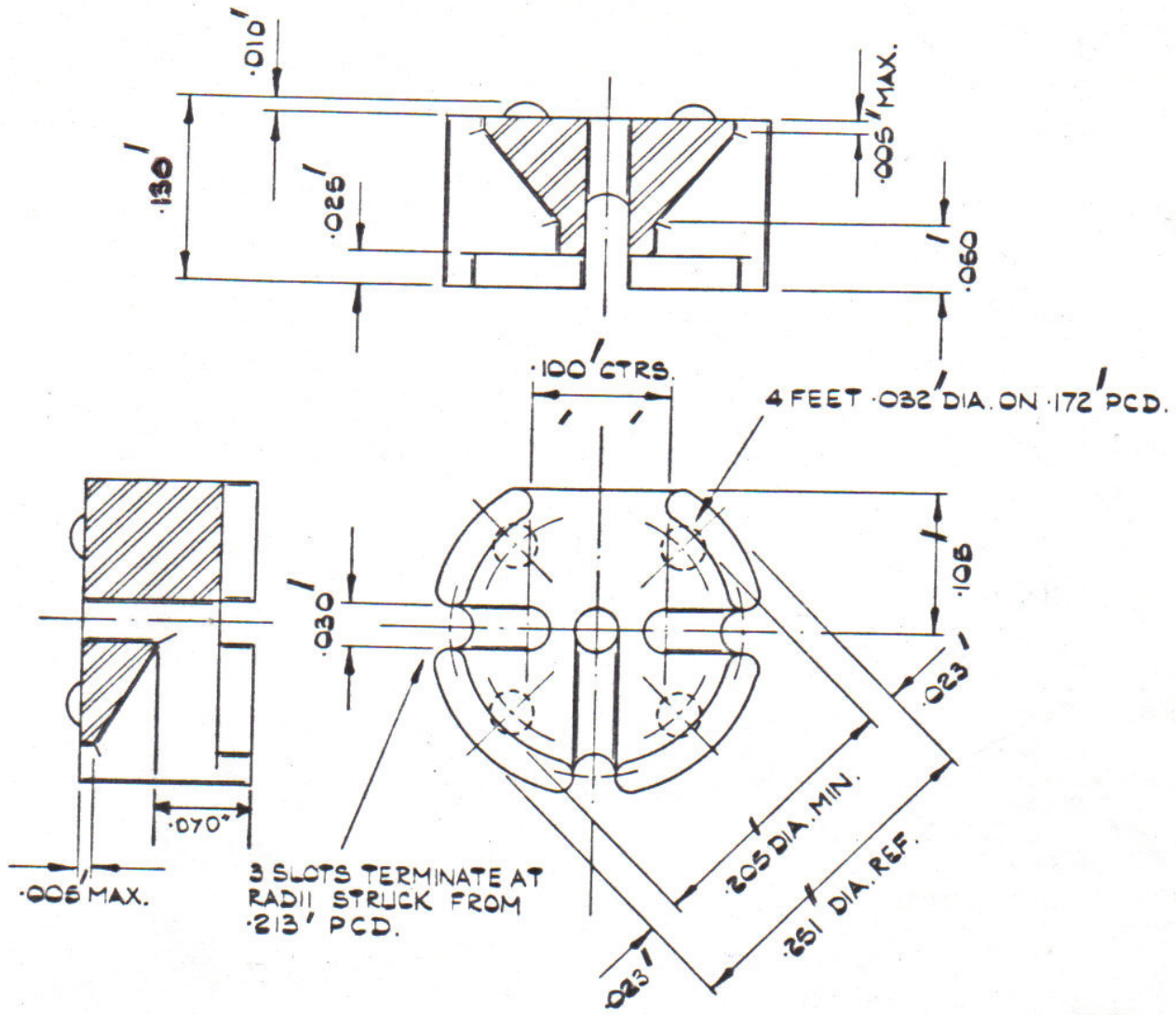


No. A27 1002

FOR EXPLANATION OF DIMENSIONING, ETC. SEE B.S.308

THIRD ANGLE PROJECTION



PART No.	RAT PT NO.	MATL.
EPX-002 D	J27-1002 D	A1406
EPX-002 P	J27-1002 P	A1407

DATE	ISS.	REVISION	SIG.
28-2-78	D	Re No.	NS
28.3.80	E	CHANGE NOTE N° 0227	RN.
24-11-08	F	DIMN .130" WAS .135"	AE

MATERIAL	FINISH
See table	
TOLERANCE	DRAWN
± .005" U.O.S.	NS.
SCALE: 8:1	TRACED
DIMS. INCHES	CHECKED
	DATE
	28-2-78

TITLE TRANSISTOR PAD

Jermyn Manufacturing

Sevenoaks Kent
 Telephone Sevenoaks (0732) 58271
 Telegrams Jermyn Sevenoaks
 Telex 45142

DRG. No.
 A27 1002