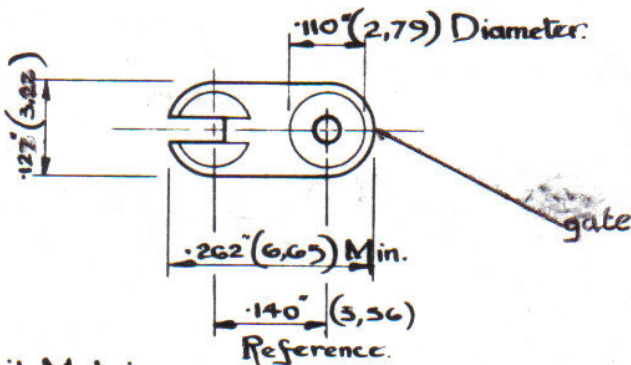
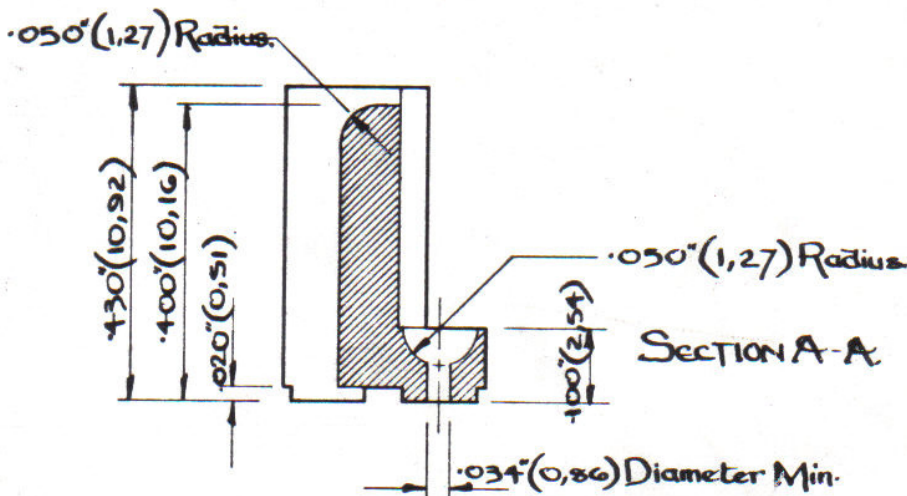
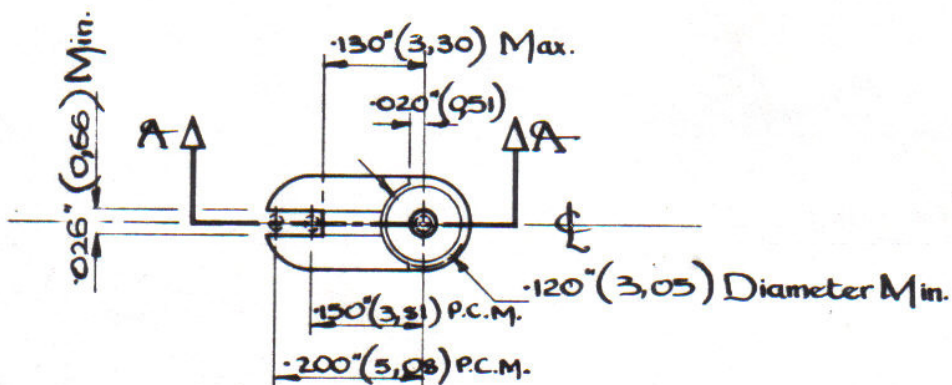


DRG. No.		
A22	2010	

FOR EXPLANATION OF DIMENSIONING, ETC. SEE B.S.308

THIRD ANGLE PROJECTION

JERMYN CODE	PIECE PART N <sup>o</sup>	Material.
A22-2010	P22-2010	Q1408
X22-1005	P22-1005	Q1418



P.C.M. — Printed Circuit Matrix.

DATE	ISS.	REVISION	SIG.	ACTUAL SIZE.			
3-2-75	A	Redrawn - design rev. to suit DO-41	A.	25-11-10 H	-127" WAS -125" - GATE AREA AE		
13-2-75	B	.130" WAS .135" IN ERROR.	BL	11.6.81. G	C.N. N <sup>o</sup> 273		
20-3-75	C	Dimension of .140" added.	A.	MATERIAL SEE TABLE			
2-2-76	D	Material Changed.	A.	FINISH Natural.			
6-2-78	E	.028" was .034" (N.002)	DR	TOLERANCE ±.005" (0,13) U.O.S.			
29.3.78	F	Ref N <sup>o</sup> added	CM	DRAWN A.			
TITLE COMPONENT HOLDER (for Device case DO7)				SCALE: 4-1.		TRACED	—
				DIMS. Inches. (mm)		CHECKED	—
Jermyn Manufacturing				SEVENOAKS KENT Telephone Sevenoaks (0732) 58271 Telegrams Jermyn Sevenoaks Telex 95142		DATE	3 <sup>rd</sup> January 75
				DRG. No.		A22 2010	