

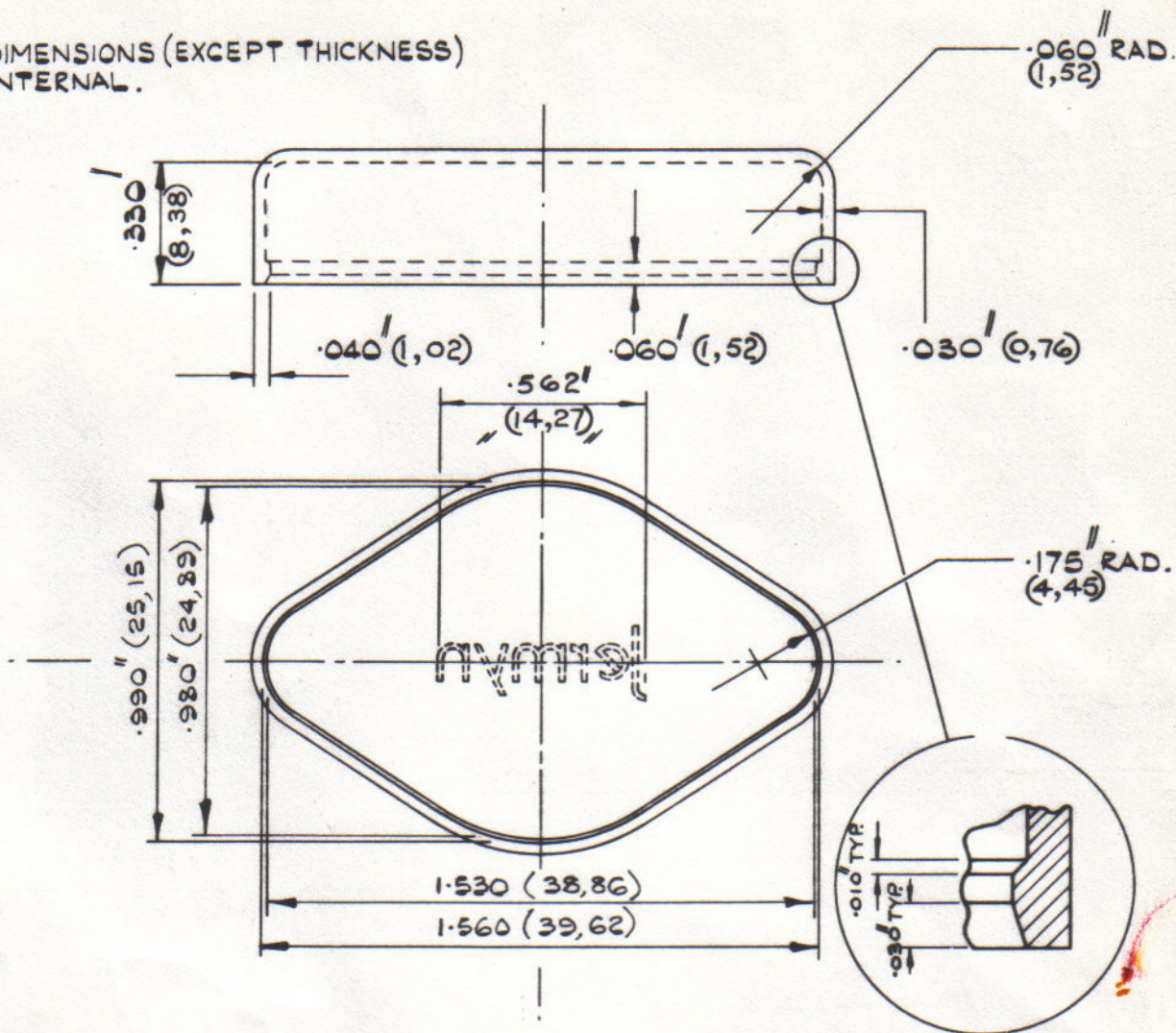
DRG. No.

A 22 2003

FOR EXPLANATION OF DIMENSIONING, ETC. SEE B.S.308

THIRD ANGLE PROJECTION

ALL DIMENSIONS (EXCEPT THICKNESS) ARE INTERNAL.



JERMYN CODE	PIECE PART NO	Material
A22-2003	P22-2003	A1409

TEST TRANSISTOR CASE SIZE -
1.525 LENGTH 1.005 WIDTH.

DATE	ISS.	REVISION	SIG.
29.3.78	G	Drq rationalised	CM
11.6.81	H	C.N. No 273	RS
29.6.81	I	C.N. No 281	RS

MATERIAL SEE TABLE	FINISH NATURAL
TOLERANCE ± 0.005" (0,13) L.O.S.	DRAWN C. Motz.
SCALE: 2:1	TRACED
DIMS. Inches (MM)	CHECKED
	DATE 29.3.78.

TITLE Transistor Cover (T03)

Jermyn Manufacturing

Sevenoaks Kent
Telephone Sevenoaks (0732) 58271
Telegrams Jermyn Sevenoaks
Telex 95142

DRG. No.
A22 2003