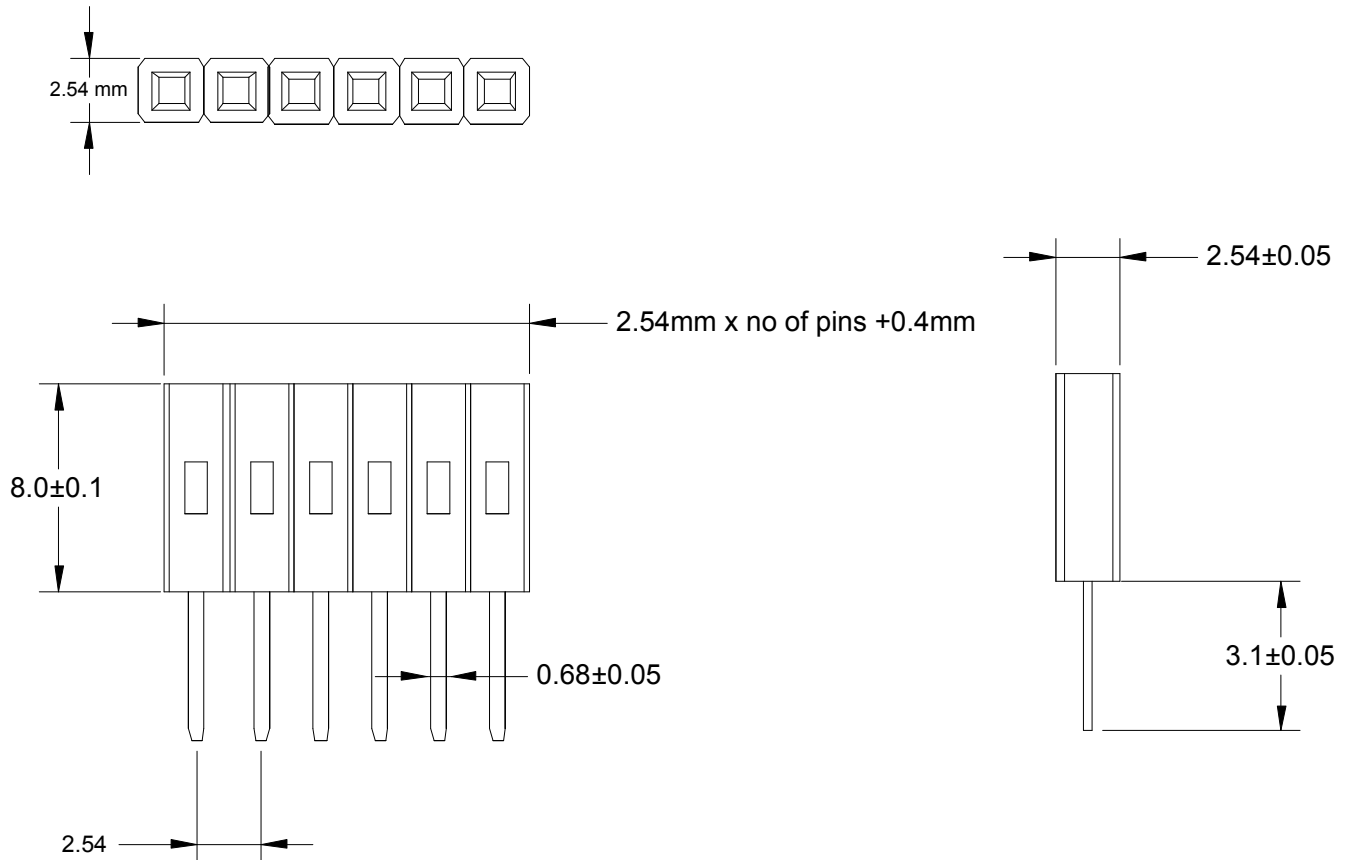


WINSLOW ADAPTICs

Data Sheet – 2.54mm Square Pin Header Sockets W34811xxTRC W34811xxTHTRC



Specifications

Current Rating	1 Amp
Insulation Resistance	5000 Meg Ohms
Operating Temperature	-40°C to +105°C
Max Processing Temperature	230°C (30 Secs) 260°C (60 Secs)
Contact Material	Phosphor Bronze
Insulation Material W34811xxTRC	Nylon (UL94V-0) (use for RoHS Wave Soldering)
Insulation Material W34811xxTHTRC	Stanol (use for RoHS Reflow)
Plating	Pure Tin over Nickel
Contact Resistance	20 m Ohms