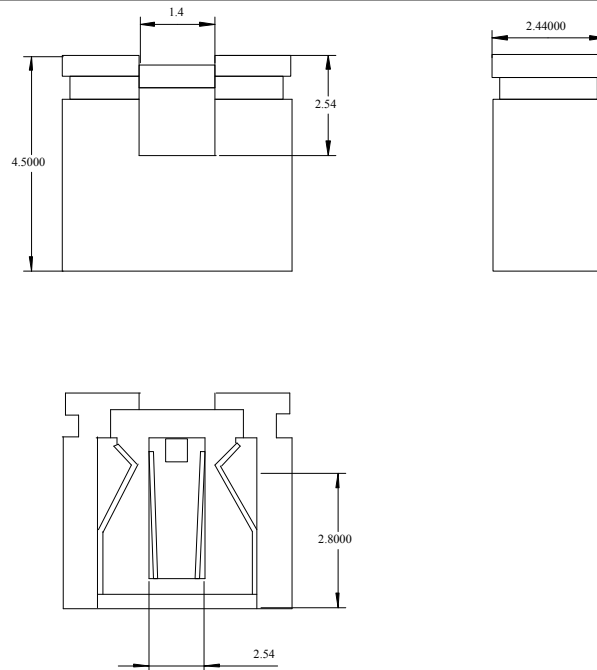


# WINSLOW ADAPTICs

## Data Sheet – Low Profile Shorting Link W802XT50RC / W802XG05



### General Specifications. Unless stated all values are typical

#### Contact

Resistance: 7MΩ max  
 Current Rating: 3 amp max.  
 Dielectric Withstanding Voltage: AC 650 Volts RMS at Sea Level

Material: Phosphor Bronze

Plating: Sn/Ni 6.0Um Pure Tin over 2.5Um Nickel.  
 Au/Ni 0.10μm Gold over 2.5μm Nickel

#### Moulding

Material: 30% Glass Fibre-Reinforced Polyester (Polybutylene Terephthalate - PBT)  
 Insulation Resistance: 1010 Ohms (contact to contact) at 500VDC  
 Arc Resistance: 145 seconds at 23 degrees C  
 Electrical Strength: 121KV/cm at 23 degrees C  
 Dielectric Constant: 3.9 (48 hrs 90%RH) at 100Hz 23 degrees C  
 4.5 at 100Hz 121 degrees C  
 3.7 (48 hrs 90%RH) at 1MHz 23 degrees C  
 4.3 at 1MHz 121 degrees C  
 Dissipation Factor: 0.0077 (48 hrs 30%RH) at 100Hz 23 degrees C  
 0.0300 at 100Hz 121 degrees C  
 0.0150 (48 hrs 30%RH) at 1MHz 23 degrees C  
 0.0200 at 1MHz 121 degrees C  
 Volume Resistivity: 3 x 10<sup>13</sup>ohms-CM (48 hrs 90%RH) at 25 degrees C  
 10<sup>13</sup>ohms-CM at 121 degrees C  
 Operating Temperature: -55 to 105 degrees C  
 Flammability: UL94V-0