

WINSLOW ADAPTICs

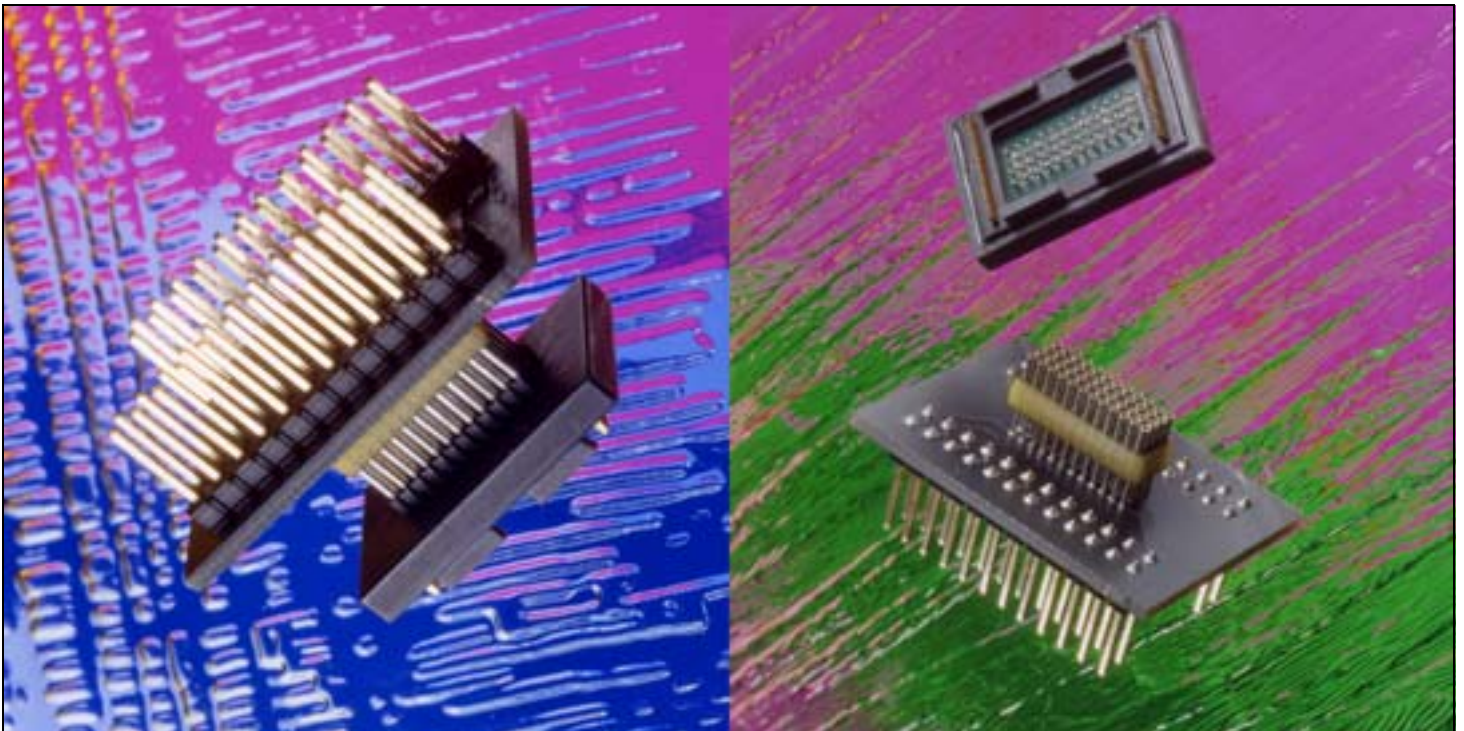
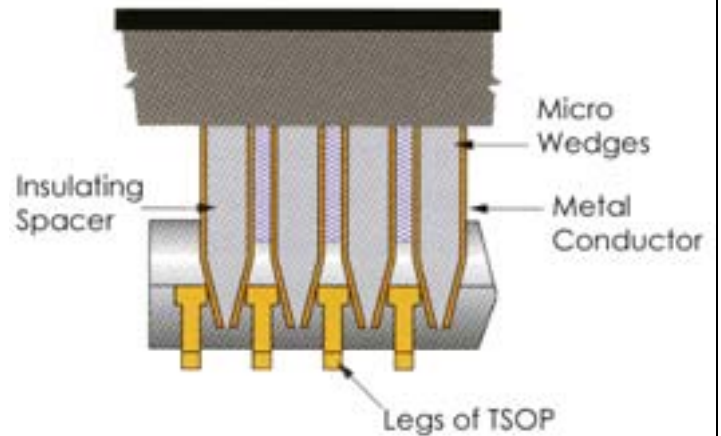
Data Sheet – SSOP/TSOP Delta Clip

Introducing the Winslow Delta Clip...

The new Winslow Delta Clip provides an accurate, mechanically non-invasive method of attaching to integrated circuit leads with spacings as low as 0.5mm.

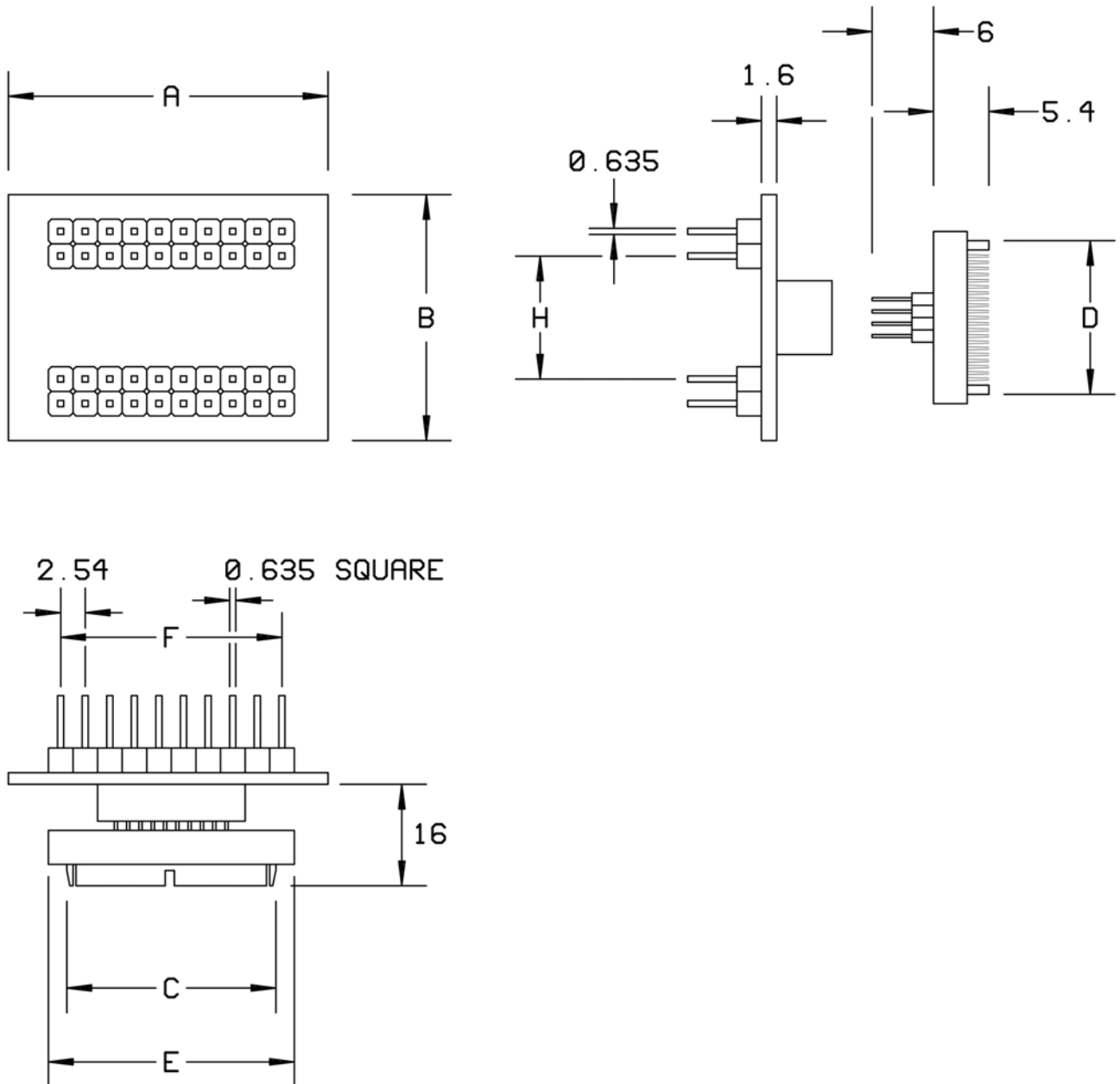
The Delta Clip has compressible wedge-shaped conductors that insert tightly into the gaps between the IC leads, conforming to the size and shape of each lead. The conductors themselves are manufactured from beryllium copper with kapton insulation and offer the ease of a snap-on fit with exceptional durability.

Each wedge of the Delta Clip contains two conductors, thus providing a redundant electrical contact to each lead of the IC being probed. Now more time can be spent performing measurements and less time debugging your test setup.



WINSLOW ADAPTICs

Delta Clip Dimensions



Notes: Number of pins shown is for illustration only. All dimensions in millimetres. Dimensions may be subject to change without prior notice.

Part Number	Package	Pins	Pitch	A	B	C	D	E	F
W9828DELTA	TSOP	32	0.5	27.94	25.40	23.11	10.34	24.64	17.78
W9831DELTA	TSOP	40	0.5	33.02	25.40	23.11	12.37	24.64	22.86
W9829DELTA	TSOP	48	0.5	38.10	25.40	23.11	14.35	24.38	27.94
W9649DELTA	SSOP	50	0.8	43.18	25.40	10.24	22.86	14.22	33.02
W9648DELTA	SSOP	54	0.8	43.18	25.40	10.24	24.64	14.22	33.02
W9647DELTA	SSOP	56	0.8	43.18	25.40	10.24	24.64	14.22	33.02