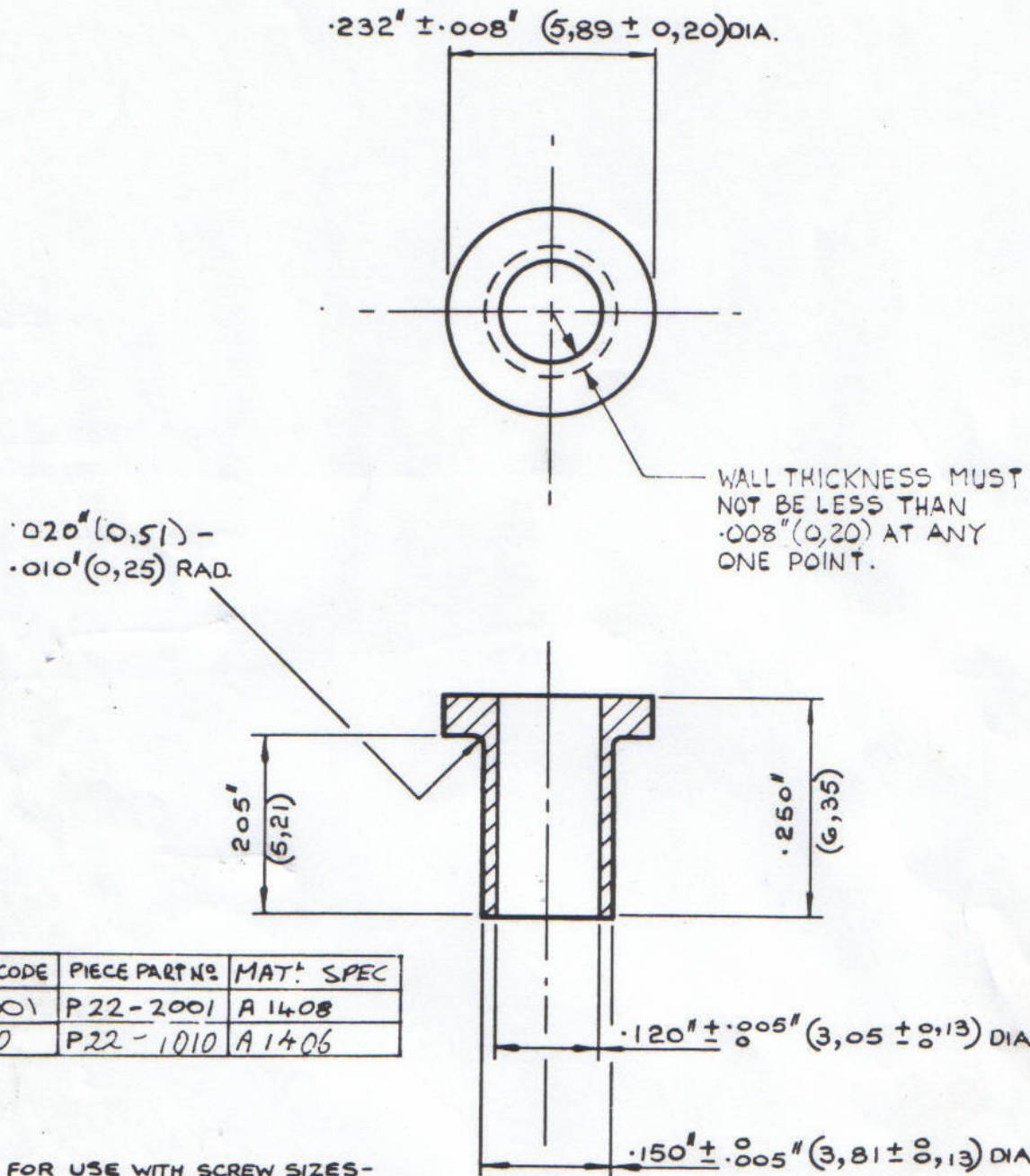


DRG. No.		
A22	2001	

FOR EXPLANATION OF DIMENSIONING, ETC. SEE B.S.308

THIRD ANGLE PROJECTION



WINSLOW CODE	PIECE PART NO	MAT. SPEC
R22-2001	P22-2001	A 1408
X22-1010	P22-1010	A 1406

SUITABLE FOR USE WITH SCREW SIZES -
6 BA, 4-40 UNC AND METRIC M3.

DATE	ISS.	REVISION	SIG.					
11-3-75	A	RE-DRAWN METRIC ADDED. BORE SIZE WAS $.120'' \pm .005''$, BOSS DIA. WAS $.150'' \pm .005''$	B.L.	11. G. 81.	H	CN. N° 273	RN	
1.3.78	B	MAT. PART No. ADDED MAT. SPEC. No. ADDED		27/6/79	G	CN N° 0160	MC	
29.3.78	C	Type N° added to table	em	MATERIAL SEE TABLE			FINISH NATURAL	
2-5-78	D	CN 40. .005 TO .010 rad was .01 mm	DR	TOLERANCE $\pm .005''$ (0,13) U.O.S.			DRAWN	B. LANE.
28-9-78	E	ESCN0071 FILLET RAD INC FROM $.010''$	APCJ				TRACED	
6.11.78	F	CN0084 (WALL THICKNESS).	RN.				CHECKED	
TITLE INSULATING BUSH				SCALE: 5:1			DATE	11-3-75
				DIMS. INCHES (mm)			DRG. No.	

WINSLOW ADAPTICS LTD.
BRECON ENTERPRISE PARK, BRECON, POWYS LD3 8EF
TELEPHONE: 01874 625555 FAX: 01874 625500
E-Mail: sales@winslow.co.uk Web: http://www.winslow.co.uk

A22	2001	
-----	------	--